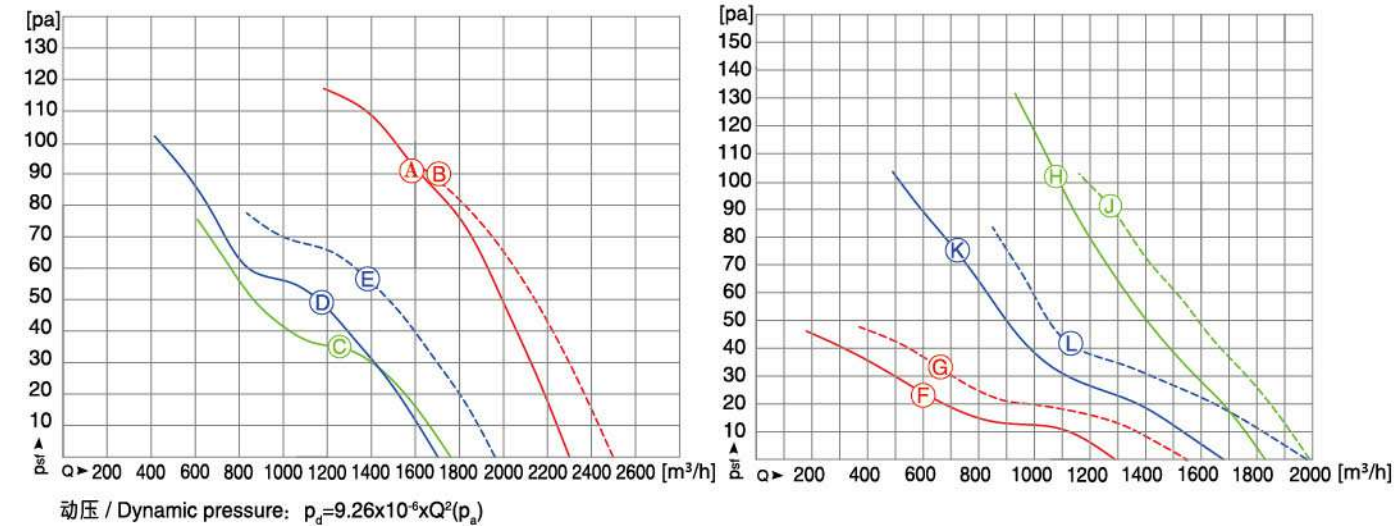


MaEr Fan Motor

Professional · Honest · Human Oriented



Ø 300 AC AXIAL FAN 外转子轴流风机



型号 Model	电压 Voltage	频率 Frequency	电容器 Capacitor	曲线 Curve	输入功率 Power	转速 RPM	电流 Current	静压 Psf	环境温度 Temp.	静压效率 ηsf	能效值 EFF.Grade	噪声 Noise	备注 Note
	V	Hz	μF/450V	NO.	W	r/min	A	Pa	℃	%	N	dB(A)	
YDWF67L35P2-□-300	1~220	50	4	A	168	2592	0.73	92	-40 ~ +70	—	—	70	
		60		B	239	2596	1.04	91	-40 ~ +65	—	—	73	
YDWF68L35P4-□-300	1~220	50	3	C	89	1354	0.41	35	-40 ~ +75	—	—	59	
		60		D	88	1355	0.37	49	-40 ~ +75	—	—	58	
YDWF68L35P4-□-300	1~220	50	3	E	112	1546	0.48	57	-40 ~ +80	—	—	61	
		60		F	53	886	0.24	26	-40 ~ +80	—	—	55	
YDWF68L35P6-□-300	1~220	50	2	G	66	1007	0.30	33	-40 ~ +80	—	—	56	
		60		H	169	2384	0.32	104	-40 ~ +75	—	—	70	
YSWF68L35P2-□-300	3~380	50	—	J	196	2610	0.33	91	-40 ~ +80	—	—	73	
		60		K	108	1345	0.22	76	-40 ~ +85	—	—	58	
YSWF68L35P4-□-300	3~380	50	—	L	106	1596	0.23	41	-40 ~ +85	—	—	62	
		60											

注：性能曲线在安装马尔导风圈时测得。Note: The performance curve is tested with MaEr wall plate.

MaEr Fan Motor

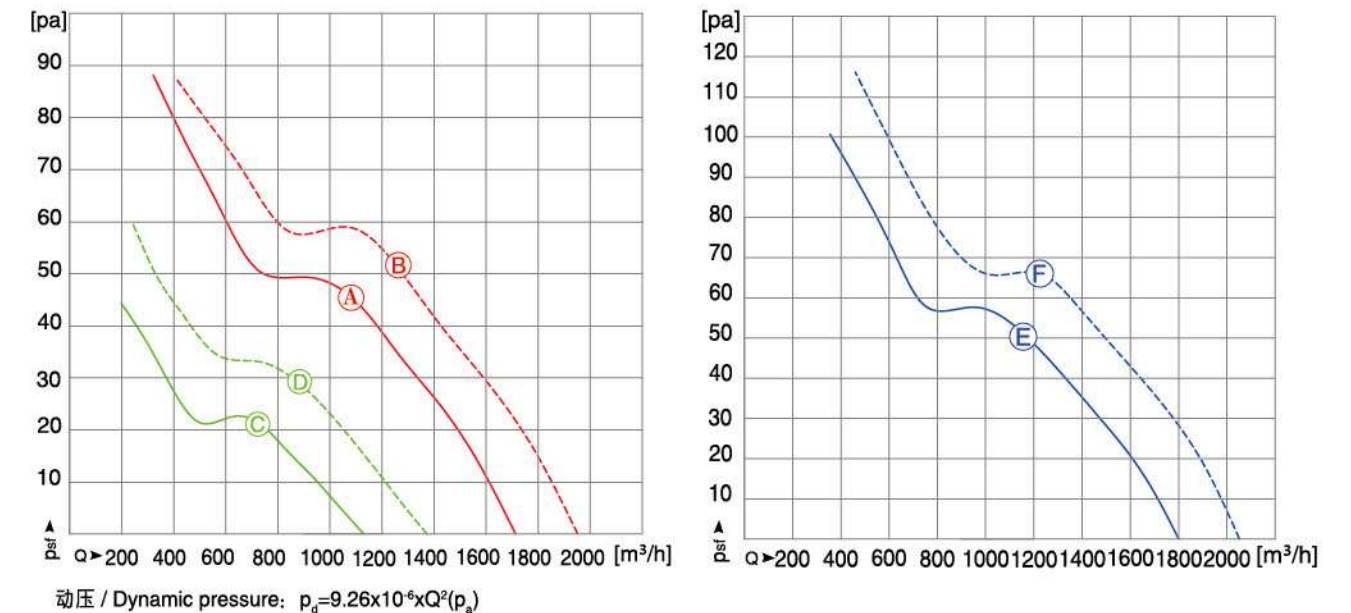
Professional · Honest · Human Oriented



Ø 300 AC AXIAL FAN 外转子轴流风机



叶轮材质: 塑料
Impeller Material: Plastic



型号 Model	电压 Voltage	频率 Frequency	电容器 Capacitor	曲线 Curve	输入功率 Power	转速 RPM	电流 Current	静压 Psf	环境温度 Temp.	静压效率 ηsf	能效值 EFF.Grade	噪声 Noise	备注 Note
	V	Hz	μF/450V	NO.	W	r/min	A	Pa	℃	%	N	dB(A)	
YDWF68L35P4-□-300-PA	1~220	50	3	A	75	1320	0.34	45	-40 ~ +75	18.21	32	57	
		60		B	99	1464	0.46	51	-40 ~ +75	22.47	29	60	
YDWF68L35P6-□-300-PA	1~220	50	2	C	49	924	0.23	21	-40 ~ +80	8.78	23.3	54	
		60		D	60	1078	0.27	29	-40 ~ +80	11.89	25.8	55	
YSWF68L35P4-□-300-PA	3~380	50	—	E	89	1365	0.25	51	-40 ~ +80	18.40	31.3	58	
		60		F	104	1547	0.22	66	-40 ~ +80	21.49	34	61	

注：性能曲线在安装马尔导风圈时测得。Note: The performance curve is tested with MaEr wall plate.

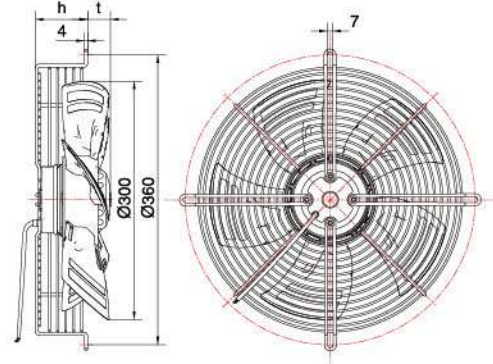
MaEr Fan Motor

Professional · Honest · Human Oriented



Ø 300 INSTALLATION ACCESSORIES 安装附件

□-360N

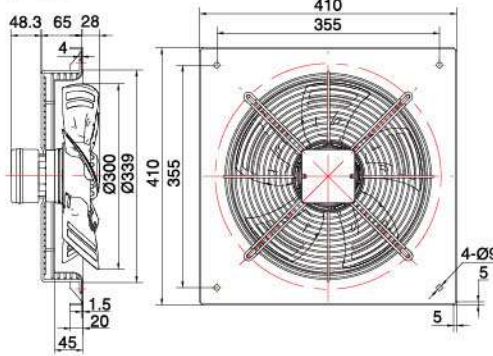


常规凹网罩 Concave grid 360N				低凹网罩 Low concave grid 360N35			
型号 MODEL	h	t		型号 MODEL	h	t	
YDWF67L35P2-360N-300	80	40		YDWF67L35P2-360N35-300	35	85	
YDWF68L35P4-360N-300	80	40		YDWF68L35P4-360N35-300	35	85	
YDWF68L35P6-360N-300	80	40		YDWF68L35P6-360N35-300	35	85	
YSWF68L35P2-360N-300	80	40		YSWF68L35P2-360N35-300	35	85	
YSWF68L35P4-360N-300	80	40		YSWF68L35P4-360N35-300	35	85	

平网罩 Flat Screen grid 360P

型号 MODEL	h	t
YDWF67L35P2-360P-300	65	30
YDWF68L35P4-360P-300	65	30
YSWF68L35P2-360P-300	65	30
YSWF68L35P4-360P-300	65	30

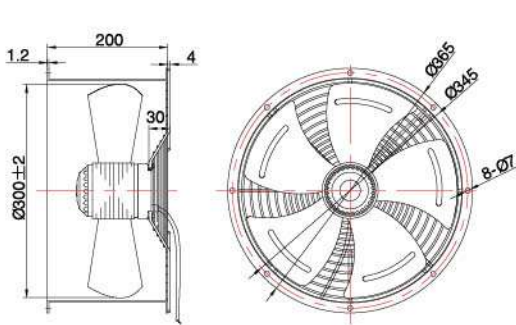
□-355H



带网风扇 Wall plate 355H

型号 MODEL
YDWF67L35P2-355H-300
YDWF68L35P4-355H-300
YDWF68L35P6-355H-300
YSWF68L35P2-355H-300
YSWF68L35P4-355H-300

□-345NG



带风筒 Air duct 345NG

型号 MODEL
YDWF67L35P2-345NG-300
YDWF68L35P4-345NG-300
YDWF68L35P6-345NG-300
YSWF68L35P2-345NG-300
YSWF68L35P4-345NG-300

□-其他安装附件 Others

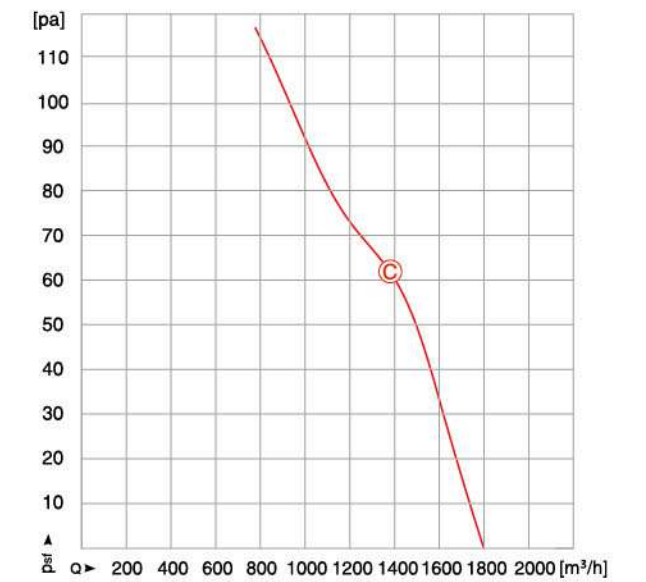
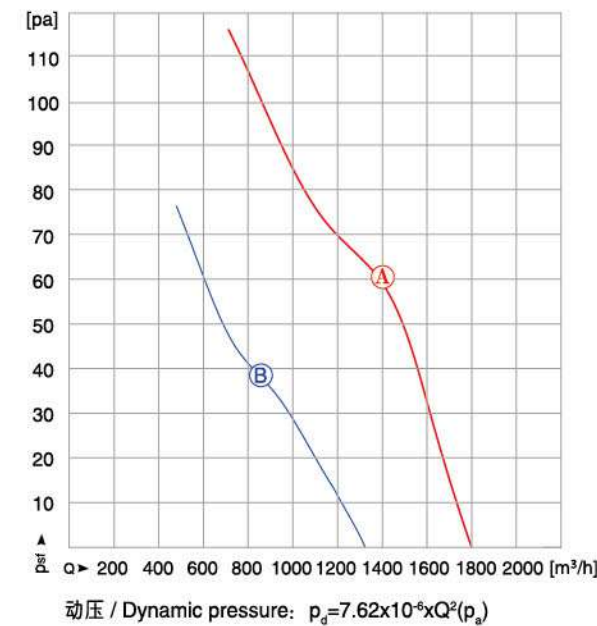
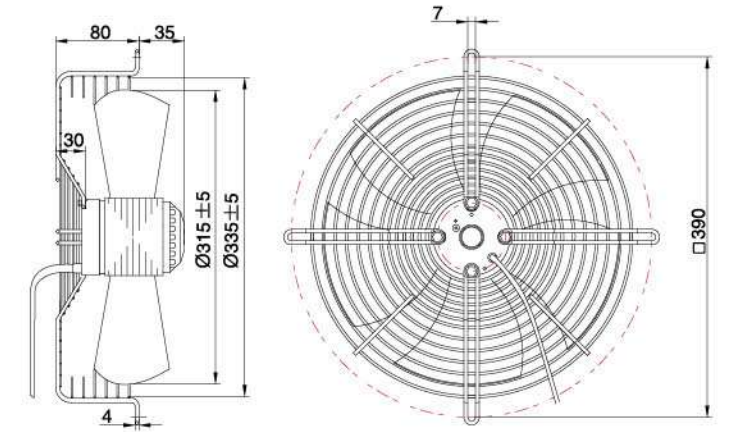
平网罩 Flat screen grid 360P				平板网罩 Flat net grid 360B				凹板网罩 Concave flat grid 360NB			
型号 MODEL	h	t		型号 MODEL	h	t		型号 MODEL	h	t	
YDWF67L35P2-360P-300	65	25		YDWF67L35P2-360B-300	—	90		YDWF67L35P2-360NB-300	—	120	
YDWF68L35P4-360P-300	65	25		YDWF68L35P4-360B-300	—	90		YDWF68L35P4-360NB-300	—	120	
YDWF68L35P6-360P-300	65	25		YDWF68L35P6-360B-300	—	90		YDWF68L35P6-360NB-300	—	120	
YSWF68L35P2-360P-300	65	25		YSWF68L35P2-360B-300	—	90		YSWF68L35P2-360NB-300	—	120	
YSWF68L35P4-360P-300	65	25		YSWF68L35P4-360B-300	—	90		YSWF68L35P4-360NB-300	—	120	

MaEr Fan Motor

Professional · Honest · Human Oriented



Ø 315 AC AXIAL FAN 外转子轴流风机



型号 Model	电压 Voltage	频率 Frequency	电容器 Capacitor	曲线 Curve	输入功率 Power	转速 RPM	电流 Current	静压 Psf	环境温度 Temp.	静压效率 ηsf	能效值 EFF.Grade	噪声 Noise	备注 Note
	V	Hz	μF/450V	NO.	W	r/min	A	Pa	°C	%	N	dB(A)	
YDWF68L35P4-390N-315	1~220	50	3	A	90	1380	0.43	60	-40~+75	—	—	60	
YDWF68L35P6-390N-315	1~220	50	2	B	60	920	0.29	37	-40~+85	—	—	60	
YSWF68L35P4-390N-315	3~380	50	—	C	90	1380	0.30	62	-40~+80	—	—	56	

注：性能曲线在安装马尔导风筒时测得。Note: The performance curve is tested with MaEr wall plate.