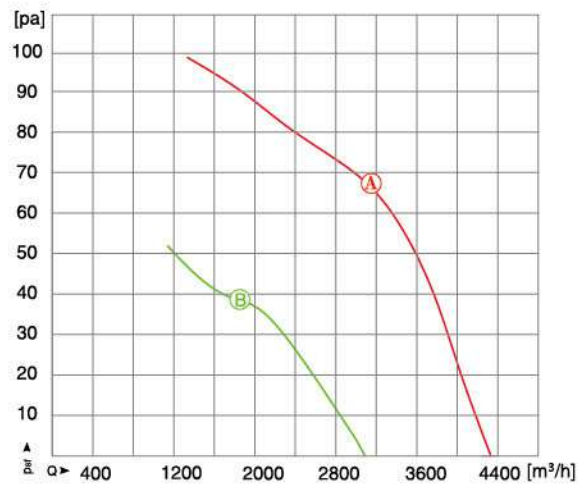
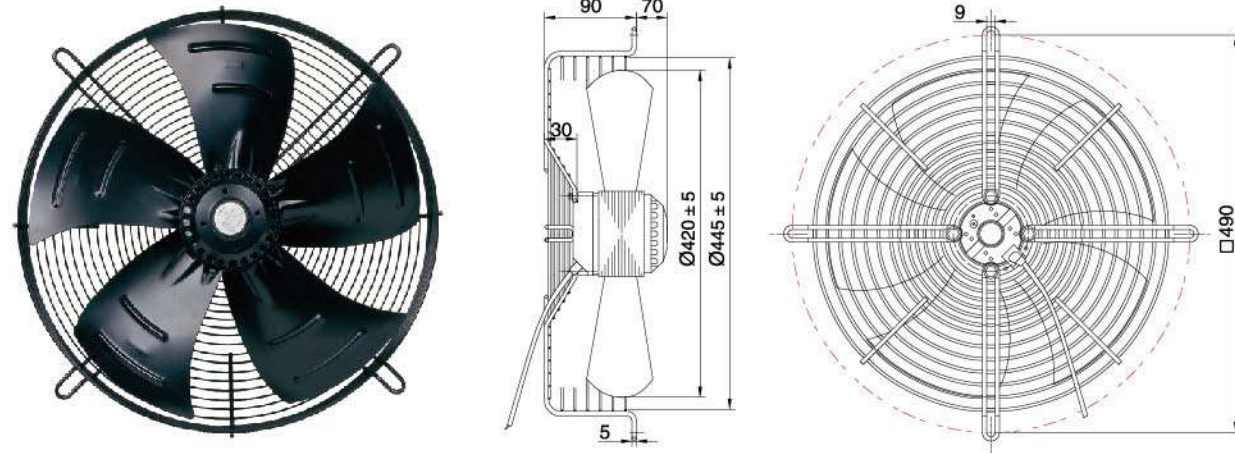


MaEr Fan Motor

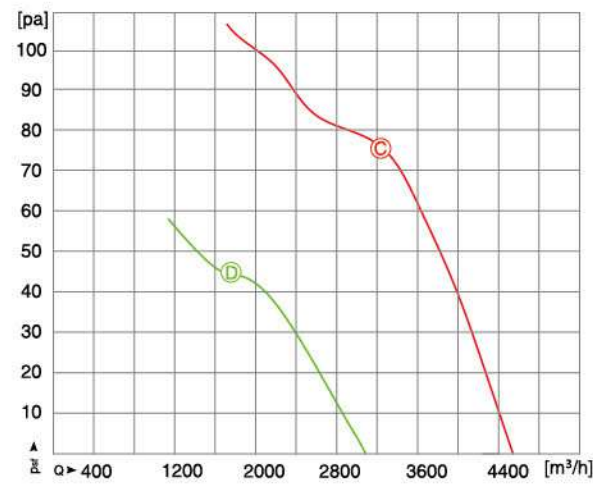
Professional · Honest · Human Oriented



Ø 420 AC AXIAL FAN 外转子轴流风机



动压 / Dynamic pressure: $p_d = 2.41 \times 10^{-6} \times Q^2 (p_a)$



型号 Model	电压 Voltage	频率 Frequency	电容器 Capacitor	曲线 Curve	输入功率 Power	转速 RPM	电流 Current	静压 Psf	环境温度 Temp.	静压效率 ηsf	能效值 EFF.Grade	噪声 Noise	备注 Note
	V	Hz	μF/450V	NO.	W	r/min	A	Pa	℃	%	N	dB/(A)	
YDWF74L60P4-490N-420	1~220	50	8	A	250	1341	1.11	67	-40~+80	21.48	32.0	68	
YDWF74L60P6-490N-420	1~220	50	6	B	150	892	0.72	38	-40~+75	21.96	21.9	59	
YSWF74L60P4-490N-420	3~380	50	—	C	251	1372	0.57	76	-40~+80	10.35	32.6	68	
YSWF74L60P6-490N-420	3~380	50	—	D	155	910	0.51	45	-40~+75	9.68	21.1	59	

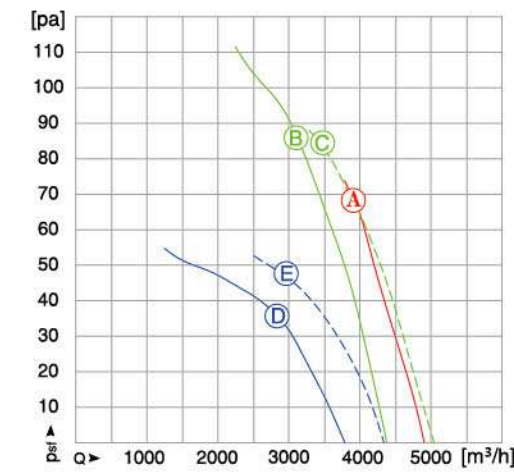
注：性能曲线在安装马尔导风圈时测得。Note: The performance curve is tested with MaEr wall plate.

MaEr Fan Motor

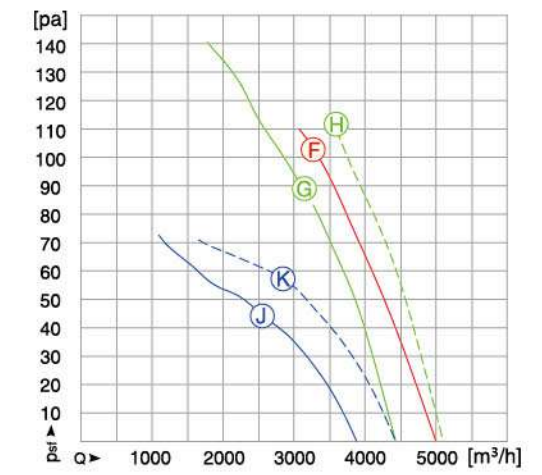
Professional · Honest · Human Oriented



Ø 450 AC AXIAL FAN 外转子轴流风机



动压 / Dynamic pressure: $p_d = 1.83 \times 10^{-6} \times Q^2 (p_a)$



型号 Model	电压 Voltage	频率 Frequency	电容器 Capacitor	曲线 Curve	输入功率 Power	转速 RPM	电流 Current	静压 Psf	环境温度 Temp.	静压效率 ηsf	能效值 EFF.Grade	噪声 Noise	备注 Note
	V	Hz	μF/450V	NO.	W	r/min	A	Pa	℃	%	N	dB/(A)	
YDWF74L60P4-□-450	1~220	50	8	A	249	1339	1.13	68	-40~+80	30.47	40.5	69	
YDWF74L60P4-□-450	1~220	50	8	B	249	1362	1.14	86	-40~+80	30.03	40.1	68	
YDWF74L60P4-□-450	1~220	60	8	C	355	1424	1.61	85	-40~+80	22.78	31.8	69	
YDWF74L60P6-□-450	1~220	50	6	D	149	891	0.70	36	-40~+70	19.21	30.7	60	
YDWF74L60P6-□-450	1~220	60	6	E	191	981	0.87	47	-40~+75	20.19	31.0	62	
YSWF74L60P4-□-450	3~380	50	—	F	290	1328	0.59	103	-40~+70	32.36	42.0	69	
YSWF74L60P4-□-450	3~380	50	—	G	240	1371	0.54	91	-40~+80	32.08	41.2	68	
YSWF74L60P4-□-450	3~380	60	—	H	344	1541	0.63	112	-40~+80	32.53	42.7	69	
YSWF74L60P6-□-450	3~380	50	—	J	166	912	0.51	45	-40~+75	19.05	30.2	60	
YSWF74L60P6-□-450	3~380	60	—	K	210	1029	0.46	58	-40~+80	21.60	32.1	62	

注：性能曲线在安装马尔导风圈时测得。Note: The performance curve is tested with MaEr wall plate.

MaEr Fan Motor

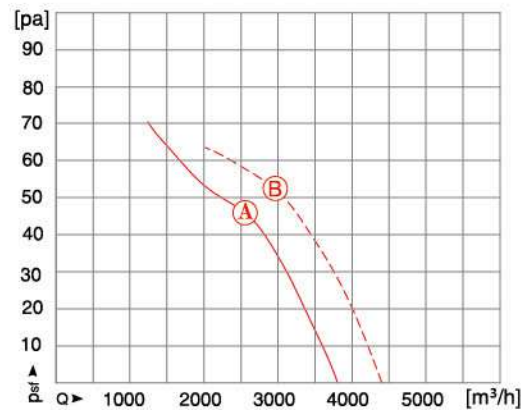
Professional · Honest · Human Oriented



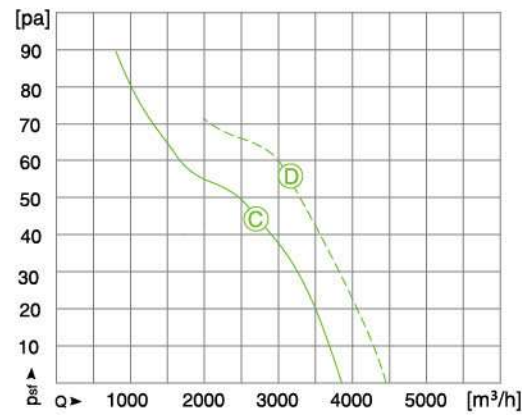
Ø 450 AC AXIAL FAN 外转子轴流风机



叶轮材质: 塑料
Impeller Material: Plastic



动压 / Dynamic pressure: $p_d = 1.83 \times 10^{-6} \times Q^2 (p_a)$



型号 Model	电压 Voltage	频率 Frequency	电容器 Capacitor	曲线 Curve	输入功率 Power	转速 RPM	电流 Current	静压 Psf	环境温度 Temp.	静压效率 ηsf	能效值 EFF.Grade	噪声 Noise	备注 Note
	V	Hz	μF/450V	NO.	W	r/min	A	Pa	℃	%	N	dB(A)	
YDWF74L60P6-□-450-PA	1~220	50	6	A	152	889	0.70	47	-40~+70	21.53	33	58	
		60		B	198	973	0.90	52	-40~+70	21.67	32.4	60	
YSWF74L60P6-□-450-PA	1~380	50	—	C	160	912	0.46	45	-40~+75	21.06	32.3	58	
		60		D	204	1026	0.45	56	-40~+80	23.72	34.3	60	

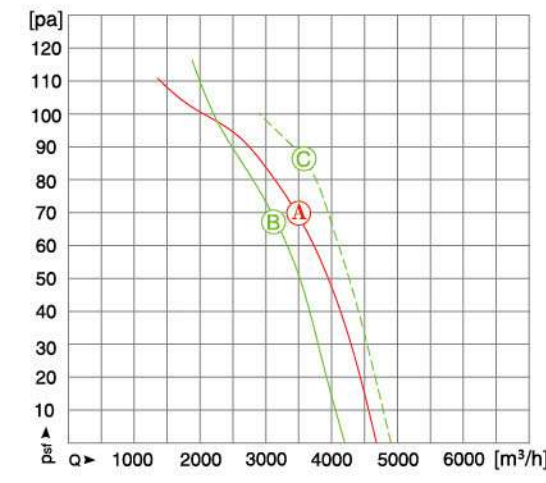
注: 性能曲线在安装马尔导风圈时测得。Note: The performance curve is tested with MaEr wall plate.

MaEr Fan Motor

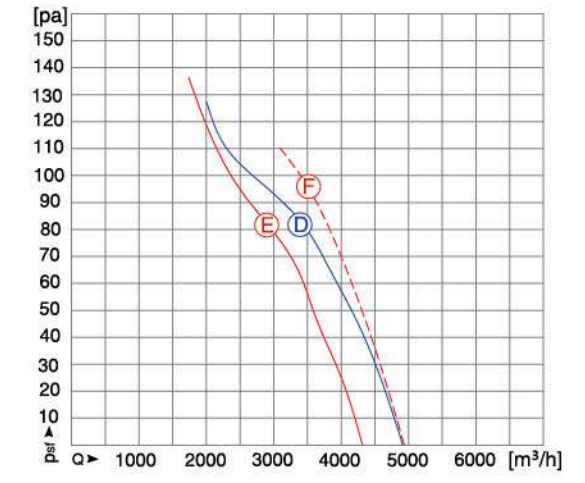
Professional · Honest · Human Oriented



Ø 450 AC AXIAL FAN 外转子轴流风机



动压 / Dynamic pressure: $p_d = 1.83 \times 10^{-6} \times Q^2 (p_a)$



型号 Model	电压 Voltage	频率 Frequency	电容器 Capacitor	曲线 Curve	输入功率 Power	转速 RPM	电流 Current	静压 Psf	环境温度 Temp.	静压效率 ηsf	能效值 EFF.Grade	噪声 Noise	备注 Note
	V	Hz	μF/450V	NO.	W	r/min	A	Pa	℃	%	N	dB(A)	
YDWF74L60P4-□-450-4F	1~220	50	8	A	258	1343	1.17	70	-40~+80	26.16	36.1	72	
YDWF74L60P4-□-450-4F	1~220	50	8	B	225	1385	1.06	67	-40~+80	26.26	36.5	71	
		60		C	315	1553	1.43	89	-40~+80	27.09	36.4	74	
YSWF74L60P4-□-450-4F	3~380	50	—	D	278	1345	0.59	83	-40~+75	28.18	37.9	73	
YSWF74L60P4-□-450-4F	3~380	50	—	E	224	1387	0.54	81	-40~+80	29.54	39.8	71	
		60		F	311	1575	0.58	95	-40~+80	29.84	39.3	74	

注: 性能曲线在安装马尔导风圈时测得。Note: The performance curve is tested with MaEr wall plate.

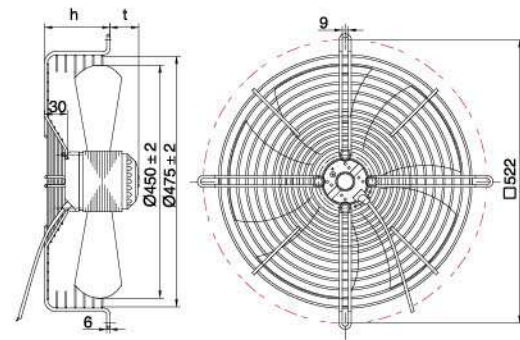
MaEr Fan Motor

Professional · Honest · Human Oriented



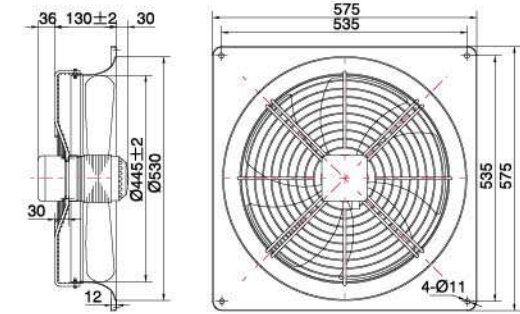
Ø 450 AC AXIAL FAN 外转子轴流风机

□-522N



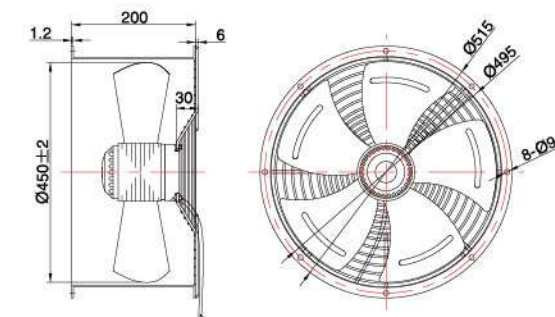
常规凹网罩 Concave grid 522N			低凹网罩 Low concave grid 522N50		
型号 MODEL	h	t	型号 MODEL	h	t
YD(S)WF74L60P4-522N-450	90	70	YD(S)WF74L60P4-522N50-450	50	110
YD(S)WF74L60P6-522N-450	90	70	YD(S)WF74L60P6-522N50-450	50	110

□-535H



带导风圈 Wall plate 535H	
型号 MODEL	
YD(S)WF74L60P4-535H-450	
YD(S)WF74L60P6-535H-450	

□-495NG



带风筒 Air duct 495NG	
型号 MODEL	
YD(S)WF74L60P4-495NG-450	
YD(S)WF74L60P6-495NG-450	

□-其他安装附件 Others

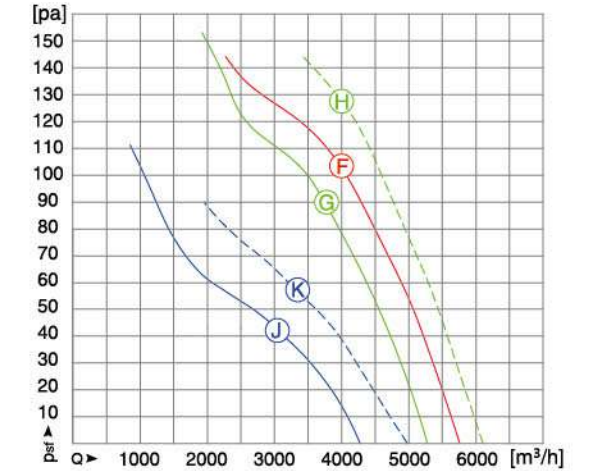
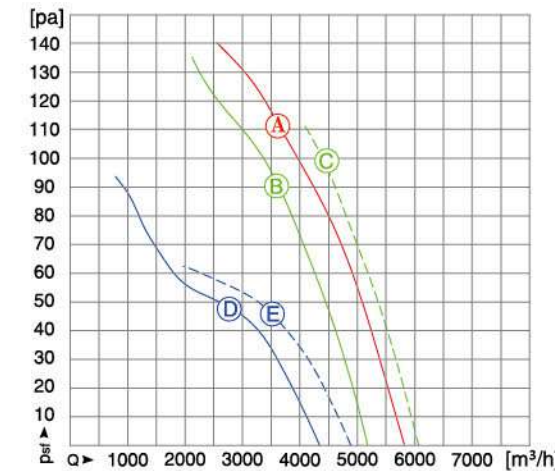
平网罩 Flat screen grid 522P			平板网罩 Flat net grid 522B			凹板网罩 Concave flat grid 522NB		
型号 MODEL	h	t	型号 MODEL	h	t	型号 MODEL	h	t
YD(S)WF74L60P4-522P-450	90	40	YD(S)WF74L60P4-522B-450	—	130	YD(S)WF74L60P4-522NB-450	—	160
YD(S)WF74L60P6-522P-450	90	40	YD(S)WF74L60P6-522B-450	—	130	YD(S)WF74L60P6-522NB-450	—	160

MaEr Fan Motor

Professional · Honest · Human Oriented



Ø 450 AC AXIAL FAN 外转子轴流风机



动压 / Dynamic pressure: $p_d = 1.83 \times 10^{-6} \times Q^2 (p_a)$

型号 Model	电压 Voltage V	频率 Frequency Hz	电容器 Capacitor $\mu F/450V$	曲线 Curve NO.	输入功率 Power W	转速 RPM r/min	电流 Current A	静压 Psf Pa	环境温度 Temp. °C	静压效率 nsf %	能效值 EFF.Grade N	噪声 Noise dB/(A)	备注 Note
YDWF102L35P4-□-450	1~220	50	10	A	415	1354	1.81	113	-40~+80	27.19	36	71	
YDWF102L35P4-□-450	1~220	50	10	B	316	1386	1.44	91	-40~+85	29.18	38.5	69	
YDWF102L35P4-□-450	1~220	60	10	C	482	1537	2.19	101	-40~+85	25.53	33.7	72	
YDWF102L35P6-□-450	1~220	50	8	D	188	903	0.86	49	-40~+85	19.19	30.1	64	
YDWF102L35P6-□-450	1~220	60	8	E	251	999	1.17	45	-40~+85	17.87	28	66	
YSWF102L35P4-□-450	3~380	50	—	F	391	1365	0.78	103	-40~+85	29.12	38.1	70	
YSWF102L35P4-□-450	3~380	50	—	G	320	1392	0.68	91	-40~+85	29.46	38.8	69	
YSWF102L35P4-□-450	3~380	60	—	H	490	1565	0.85	127	-40~+80	28.96	37.1	72	
YSWF102L35P6-□-450	3~380	50	—	J	191	933	0.51	41	-40~+80	18.74	29.5	64	
YSWF102L35P6-□-450	3~380	60	—	K	269	1059	0.53	57	-40~+80	19.45	29.3	66	

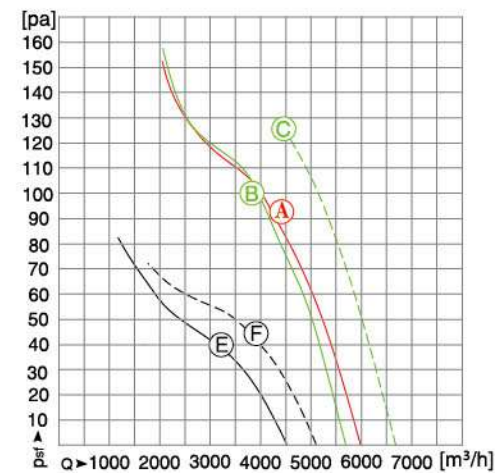
注：性能曲线在安装马尔导风圈时测得。 Note: The performance curve is tested with MaEr wall plate.

MaEr Fan Motor

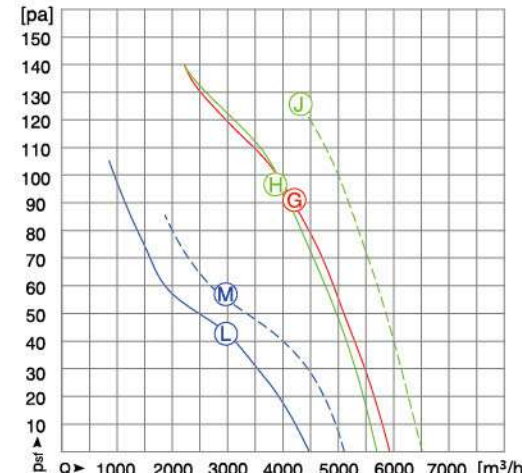
Professional · Honest · Human Oriented



Ø 450 AC AXIAL FAN 外转子轴流风机



动压 / Dynamic pressure: $p_d = 1.83 \times 10^{-6} \times Q^2 (p_a)$



型号 Model	电压 Voltage	频率 Frequency	电容器 Capacitor	曲线 Curve	输入功率 Power	转速 RPM	电流 Current	静压 Psf	环境温度 Temp.	静压效率 ηsf	能效值 EFF.Grade	噪声 Noise	备注 Note
	V	Hz	μF/450V	NO.	W	r/min	A	Pa	℃	%	N	dB(A)	
YDWF102L40P4-□-450	1~220	50	12	A	421	1381	1.92	94	-40~+80	26.01	34.6	72	
YDWF102L40P4-□-450	1~220	50	12	B	389	1430	1.70	103	-40~+80	28.60	37.5	71	
YDWF102L40P4-□-450	1~220	60	12	C	594	1566	2.60	128	-40~+80	26.39	34.1	74	
YDWF102L40P6-□-450	1~220	50	10	E	212	912	0.97	41	-40~+80	16.62	27.1	65	
YDWF102L40P4-□-450	1~220	60	10	F	287	1020	1.35	45	-40~+70	16.47	26.1	66	
YSWF102L40P4-□-450	3~380	50	—	G	400	1365	0.77	91	-40~+80	26.22	35	72	
YSWF102L40P4-□-450	3~380	50	—	H	368	1381	0.75	94	-40~+80	28.55	37.6	71	
YSWF102L40P4-□-450	3~380	60	—	J	562	1546	0.96	126	-40~+75	26.92	34.8	74	
YSWF102L40P6-□-450	3~380	50	—	L	200	930	0.54	43	-40~+80	17.84	28.4	65	
YSWF102L40P6-□-450	3~380	60	—	M	281	1062	0.57	58	-40~+80	18.85	28.5	66	

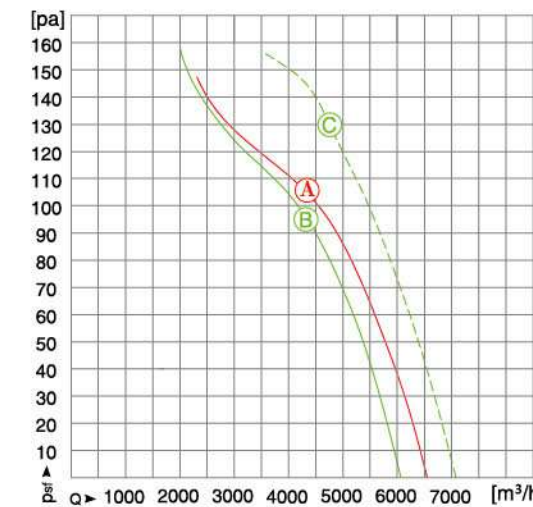
注：性能曲线在安装马尔导风圈时测得。Note: The performance curve is tested with MaEr wall plate.

MaEr Fan Motor

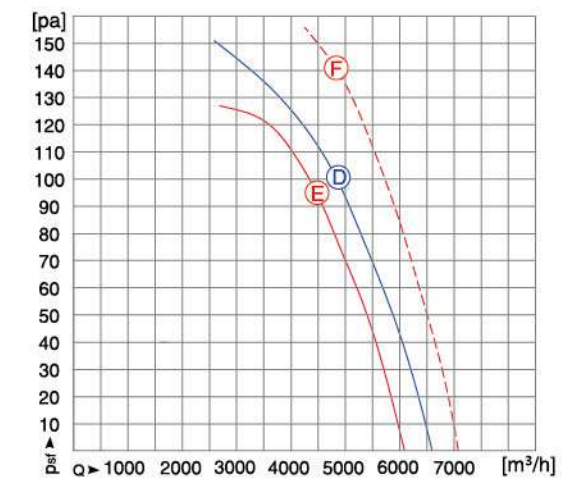
Professional · Honest · Human Oriented



Ø 450 AC AXIAL FAN 外转子轴流风机



动压 / Dynamic pressure: $p_d = 1.83 \times 10^{-6} \times Q^2 (p_a)$



型号 Model	电压 Voltage	频率 Frequency	电容器 Capacitor	曲线 Curve	输入功率 Power	转速 RPM	电流 Current	静压 Psf	环境温度 Temp.	静压效率 ηsf	能效值 EFF.Grade	噪声 Noise	备注 Note
	V	Hz	μF/450V	NO.	W	r/min	A	Pa	℃	%	N	dB(A)	
YDWF102L45P4-□-450	1~220	50	16	A	521	1387	2.36	108	-40~+80	24.03	32	73	
YDWF102L45P4-□-450	1~220	50	16	B	438	1412	2.00	97	-40~+85	26.67	35.1	71	
YDWF102L45P4-□-450	1~220	60	16	C	676	1600	3.09	130	-40~+80	25.33	32.6	74	
YSWF102L45P4-□-450	3~380	50	—	D	498	1404	1.11	102	-40~+80	27.3	35.6	73	
YSWF102L45P4-□-450	3~380	50	—	E	433	1419	1.00	96	-40~+85	27.41	35.9	71	
YSWF102L45P4-□-450	3~380	60	—	F	667	1627	1.18	141	-40~+80	28.00	35.3	74	

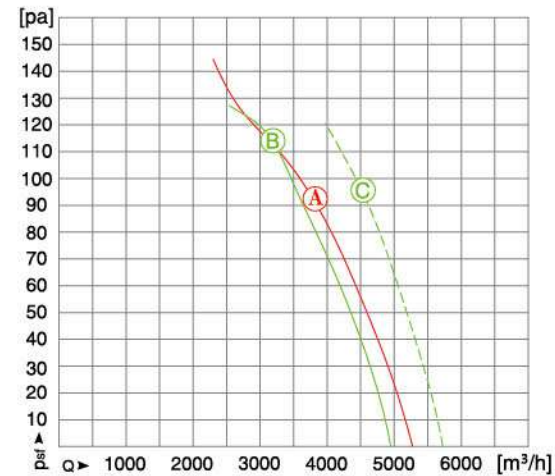
注：性能曲线在安装马尔导风圈时测得。Note: The performance curve is tested with MaEr wall plate.

MaEr Fan Motor

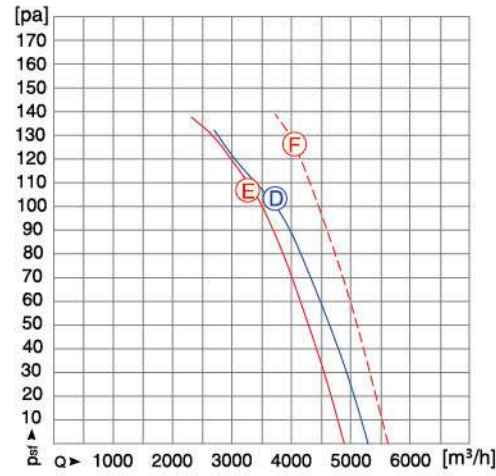
Professional · Honest · Human Oriented



Ø 450 AC AXIAL FAN 外转子轴流风机



动压 / Dynamic pressure: $p_d = 1.83 \times 10^{-6} \times Q^2 (p_a)$

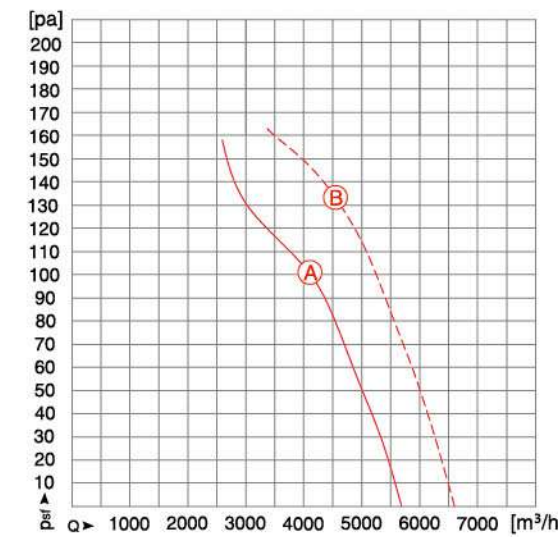


MaEr Fan Motor

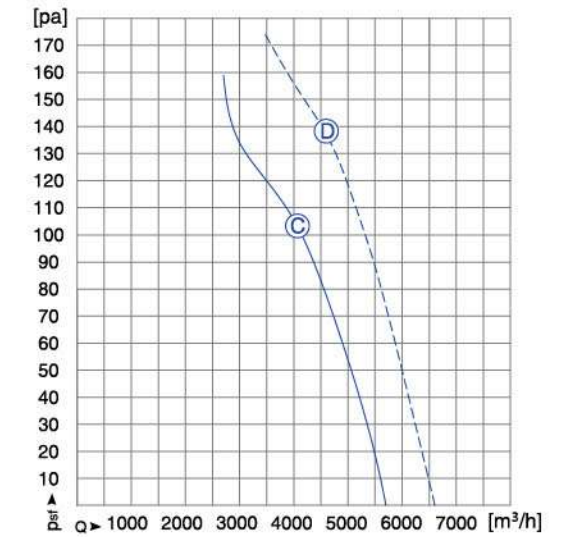
Professional · Honest · Human Oriented



Ø 450 AC AXIAL FAN 外转子轴流风机



动压 / Dynamic pressure: $p_d = 1.83 \times 10^{-6} \times Q^2 (p_a)$



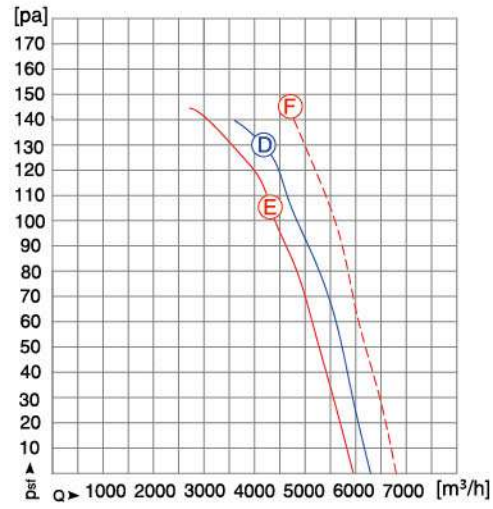
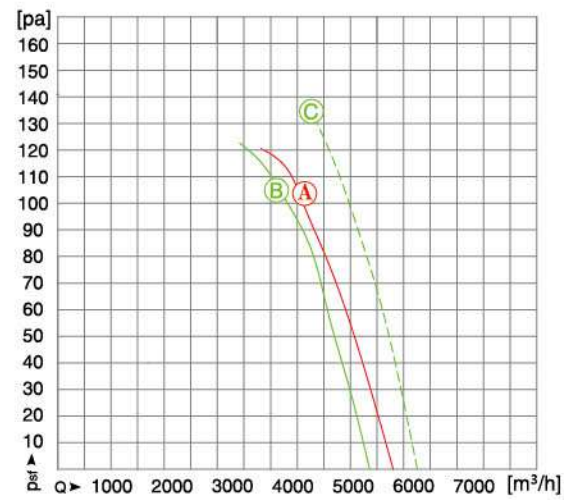
型号 Model	电压 Voltage	频率 Frequency	电容器 Capacitor	曲线 Curve	输入功率 Power	转速 RPM	电流 Current	静压 Psf	环境温度 Temp.	静压效率 ηsf	能效值 EFF.Grade	噪声 Noise	备注 Note
	V	Hz	μF/450V	NO.	W	r/min	A	Pa	℃	%	N	dB(A)	
YDWF102L35P4-□-450-4F	1~220	50	10	A	367	1359	1.67	94	-40~+80	26.69	35.6	73	
YDWF102L35P4-□-450-4F	1~220	50	10	B	323	1384	1.48	114	-40~+85	31.21	40.5	72	
YDWF102L35P4-□-450-4F	1~220	60	10	C	423	1602	1.93	94	-40~+85	27.98	36.5	74	
YSWF102L35P4-□-450-4F	3~380	50	—	D	371	1372	0.74	102	-40~+80	28.02	36.9	73	
YSWF102L35P4-□-450-4F	3~380	50	—	E	319	1397	0.70	106	-40~+85	31.20	40.5	72	
YSWF102L35P4-□-450-4F	3~380	60	—	F	467	1591	0.82	129	-40~+85	30.70	39.0	75	

注：性能曲线在安装马尔导风圈时测得。Note: The performance curve is tested with MaEr wall plate.

型号 Model	电压 Voltage	频率 Frequency	电容器 Capacitor	曲线 Curve	输入功率 Power	转速 RPM	电流 Current	静压 Psf	环境温度 Temp.	静压效率 ηsf	能效值 EFF.Grade	噪声 Noise	备注 Note
	V	Hz	μF/450V	NO.	W	r/min	A	Pa	℃	%	N	dB(A)	
YDWF102L45P4-□-450-4F	1~220	50	16	A	435	1409	2.00	100	-40~+85	26.27	34.8	74	
YDWF102L45P4-□-450-4F	1~220	60	16	B	653	1614	3.00	132	-40~+80	25.72	33.1	76	
YSWF102L45P4-□-450-4F	3~380	50	—	C	428	1413	1.04	104	-40~+85	27.30	35.8	74	
YSWF102L45P4-□-450-4F	3~380	60	—	D	653	1620	1.18	137	-40~+80	26.82	34.2	76	

注：性能曲线在安装马尔导风圈时测得。Note: The performance curve is tested with MaEr wall plate.

Ø 450 AC AXIAL FAN 外转子轴流风机

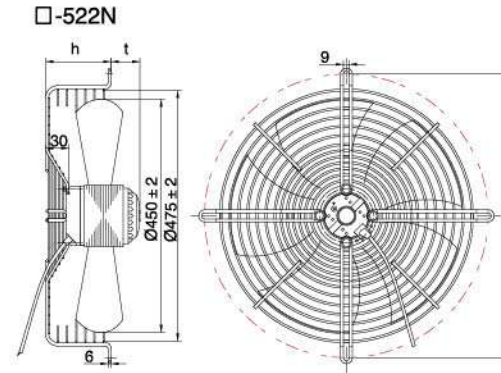


动压 / Dynamic pressure: $p_d = 1.83 \times 10^{-6} \times Q^2 (p_a)$

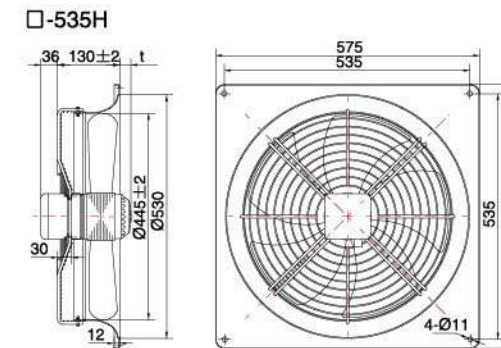
型号 Model	电压 Voltage	频率 Frequency	电容器 Capacitor	曲线 Curve	输入功率 Power	转速 RPM	电流 Current	静压 Psf	环境温度 Temp.	静压效率 ηsf	能效值 EFF.Grade	噪声 Noise	备注 Note
	V	Hz	μF/450V	NO.	W	r/min	A	Pa	℃	%	N	dB(A)	
YDWF102L45P4-□-450-7	1~220	50	16	A	499	1387	2.28	103	-40~+80	26.06	34.2	72	
YDWF102L45P4-□-450-7	1~220	50	16	B	441	1405	2.02	104	-40~+85	27.53	36.0	71	
		60		C	682	1587	3.11	137	-40~+80	26.08	33.4	74	
YSWF102L45P4-□-450-7	3~380	50	—	D	497	1404	1.09	130	-40~+80	30.23	38.5	72	
YSWF102L45P4-□-450-7	3~380	50	—	E	438	1414	1.05	105	-40~+85	28.57	37.1	71	
		60		F	665	1618	1.20	145	-40~+80	28.47	35.8	74	

注：性能曲线在安装马尔导风圈时测得。Note: The performance curve is tested with MaEr wall plate.

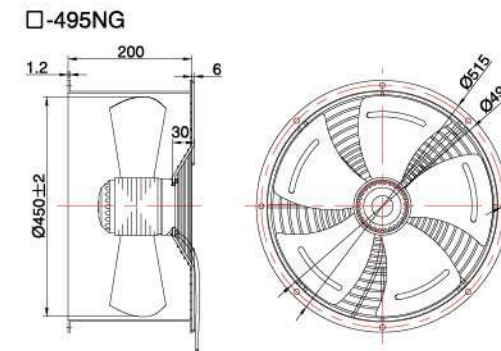
Ø 450 INSTALLATION ACCESSORIES 安装附件



常规凹网罩 Concave grid 522N				低凹网罩 Low concave grid 522N35			
型号	MODEL	h	t	型号	MODEL	h	t
YD(S)WF102L35P4-522N-450		90	47	YD(S)WF102L35P4-522N35-450		35	102
YD(S)WF102L35P6-522N-450		90	47	YD(S)WF102L35P6-522N35-450		35	102
YD(S)WF102L40P4-522N-450		90	52	YD(S)WF102L40P4-522N35-450		35	107
YD(S)WF102L40P6-522N-450		90	52	YD(S)WF102L40P6-522N35-450		35	107
YD(S)WF102L45P4-522N-450		90	57	YD(S)WF102L45P4-522N35-450		35	112
YD(S)WF102L45P6-522N-450		90	57	YD(S)WF102L45P6-522N35-450		35	112



带导风圈 Wall plate 535H		
型号	MODEL	t
YD(S)WF102L35P4-535H-450		7
YD(S)WF102L35P6-535H-450		7
YD(S)WF102L40P4-535H-450		12
YD(S)WF102L40P6-535H-450		12
YD(S)WF102L45P4-535H-450		17
YD(S)WF102L45P6-535H-450		17



带风筒 Air duct 495NG	
型号	MODEL
YD(S)WF102L35P4-495NG-450	
YD(S)WF102L35P6-495NG-450	
YD(S)WF102L40P4-495NG-450	
YD(S)WF102L40P6-495NG-450	
YD(S)WF102L45P4-495NG-450	
YD(S)WF102L45P6-495NG-450	

□-其他安装附件 Others

平板网罩 Flat screen grid 522B				凹板网罩 Concave flat grid 522NB			
型号	MODEL	h	t	型号	MODEL	h	t
YD(S)WF102L35P4-522B-450		—	107	YD(S)WF102L35P4-522NB-450		—	137
YD(S)WF102L35P6-522B-450		—	107	YD(S)WF102L35P6-522NB-450		—	137
YD(S)WF102L40P4-522B-450		—	112	YD(S)WF102L40P4-522NB-450		—	142
YD(S)WF102L40P6-522B-450		—	112	YD(S)WF102L40P6-522NB-450		—	142
YD(S)WF102L45P4-522B-450		—	117	YD(S)WF102L45P4-522NB-450		—	147
YD(S)WF102L45P6-522B-450		—	117	YD(S)WF102L45P6-522NB-450		—	147