

GENERAL CATALOGUE













Compressors

R134a



cubigel[®]
compressors

R134a (*) LBP • 50 Hz





MODEL	DISPLACEMENT cm ³	POWER hp	APPLICATION	CPR COOLING	VOLTAGE FREQUENCY	MOTOR	STARTING	EXPANSION	REFRIGERATION CAPACITY								WEIGHT Kg	DESIGN
									COP in W/W 1 W = 0,864 kcal/h = 3,415 BTU/h Evaporating Temperature °C									
									Cecomaf (W)				Ashrae					
									-35	-30	-25		-10	-23.3				
											W	COP		kcal/h	COP			
GD24AA	2.44	1/20	LBP	S	220-240V 50Hz ~1	RSIR	P	C	12	22	34	0.51	85	41	0.68	5.3	Db	
GD30AA	3.08	1/12	LBP	S	220-240V 50Hz ~1	RSIR	P	C	23	36	52	0.74	117	62	0.96	5.6	Dc	
GD30AG	3.08	1/12	LBP	S	200-220/220-230V 50/60Hz ~1	RSIR	P	C	21	34	49	0.6	111	58	0.79	5.9	Dc	
GD36AA	3.62	1/12	LBP	S	220-240V 50Hz ~1	RSIR	P	C	28	43	61	0.76	136	72	0.99	5.7	Dc	
GD36AFa	3.62	1/12	LBP	S	200-220/230V 50/60Hz ~1	RSIR	P	C	26	40	58	0.63	128	68	0.83	5.9	Dc	
GD36AFb	3.62	1/12	LBP	S	200-220/230V 50/60Hz ~1	CSIR	R	C-V	26	40	58	0.63	128	68	0.83	5.9	Dc	
GD40AA	4.06	1/10	LBP	S	220-240V 50Hz ~1	RSIR	P	C	34	50	70	0.77	155	82	1.00	6.1	Dd	
GD40AF	4.06	1/10	LBP	S	200-220/220-230V 50/60Hz ~1	RSIR	P	C	31	47	66	0.67	147	78	0.88	6.8	Dd	
 GLY45AAa	4.56	1/8	LBP	S	220-240V 50Hz ~1	RSIR	P	C	47	65	89	1.01	192	104	1.30	8.7	Lb	
 GLY45AAb	4.56	1/8	LBP	S	220-240V 50Hz ~1	RSCR	P	C	48	66	90	1.05	193	105	1.36	8.7	Lb	
GL45AAa	4.56	1/8	LBP	S	220-240V 50Hz ~1	RSIR	P	C	37	57	81	0.81	184	96	1.06	7.9	Lb	
GL45AAb	4.56	1/8	LBP	S	220-240V 50Hz ~1	CSIR	R	C-V	37	57	81	0.81	184	96	1.06	7.9	Lb	
GL45ANa	4.56	1/8	LBP	S	200-240/220-230V 50/60Hz ~1	RSIR	P	C	36	56	80	0.78	184	95	1.03	8.4	Lb	
 GLY60AAa	5.98	1/6	LBP	S	220-240V 50Hz ~1	RSIR	P	C	58	85	119	1.03	255	139	1.34	8.7	Lb	
 GLY60AAb	5.98	1/6	LBP	S	220-240V 50Hz ~1	RSCR	P	C	58	86	120	1.10	256	140	1.42	8.7	Lb	
GL60AAa	5.98	1/6	LBP	S	220-240V 50Hz ~1	RSIR	P	C	50	75	107	0.85	239	126	1.10	8.4	Lb	
GL60AAb	5.98	1/6	LBP	S	220-240V 50Hz ~1	CSIR	R	C-V	50	75	107	0.85	239	126	1.10	8.4	Lb	
GL60ANa	5.98	1/6	LBP	S	200-240/220-230V 50/60Hz ~1	RSIR	P	C	57	82	114	0.83	244	133	1.09	9.1	Lc	
GL60ANb	5.98	1/6	LBP	F	200-240/220-230V 50/60Hz ~1	CSIR	R	C-V	57	82	114	0.83	244	133	1.09	9.1	Lc	
GL60ANc	5.98	1/6	LBP	S	200-240/220-230V 50/60Hz ~1	CSIR	R	C-V	57	82	114	0.83	244	133	1.09	9.1	Lc	
 GLY80AAa	8.10	1/5	LBP	S	220-240V 50Hz ~1	RSIR	P	C	92	123	164	1.07	349	191	1.37	10.0	Lc	
 GLY80AAb	8.10	1/5	LBP	S	220-240V 50Hz ~1	RSCR	P	C	93	124	165	1.13	351	192	1.45	10.0	Lc	
GL80AAa	8.10	1/5	LBP	S	220-240V 50Hz ~1	RSIR	P	C	68	102	144	0.89	326	170	1.15	9.0	Lc	
GL80AAb	8.10	1/5	LBP	S	220-240V 50Hz ~1	CSIR	R	C-V	68	102	144	0.89	326	170	1.15	9.0	Lc	
GL80ANa	8.10	1/5	LBP	S	200-220/220-230V 50/60Hz ~1	RSIR	P	C	75	107	148	0.83	331	174	1.09	9.8	Ld	
GL80ANb	8.10	1/5	LBP	F	200-220/220-230V 50/60Hz ~1	CSIR	R	C-V	75	107	148	0.83	331	174	1.09	9.8	Ld	
GL80ANc	8.10	1/5	LBP	S	200-220/220-230V 50/60Hz ~1	CSIR	R	C-V	75	107	148	0.83	331	174	1.09	9.8	Ld	
 GLY90AAa	9.09	1/4	LBP	S	220-240V 50Hz ~1	RSIR	P	C	104	140	186	1.07	387	216	1.37	10.5	Ld	
 GLY90AAb	9.09	1/4	LBP	S	220-240V 50Hz ~1	RSCR	P	C	103	140	187	1.13	388	217	1.45	10.5	Ld	
GL90AAa	9.09	1/4	LBP	S	220-240V 50Hz ~1	RSIR	P	C	82	119	165	0.90	351	193	1.15	9.4	Lc	
GL90AAb	9.09	1/4	LBP	S	220-240V 50Hz ~1	CSIR	R	C-V	82	119	165	0.90	351	193	1.15	9.4	Lc	
GL90ANa	9.09	1/4	LBP	S	200-220/220-230V 50/60Hz ~1	RSIR	P	C	85	118	163	0.84	366	191	1.10	10.4	Ld	
GL90ANb	9.09	1/4	LBP	F	200-220/220-230V 50/60Hz ~1	CSIR	R	C-V	85	118	163	0.84	366	191	1.10	10.4	Ld	
GL90ANc	9.09	1/4	LBP	S	200-220/220-230V 50/60Hz ~1	CSIR	R	C-V	85	118	163	0.84	366	191	1.10	10.4	Ld	
GL99AAa	9.95	1/4	LBP	S	220-240V 50Hz ~1	RSIR	P	C	83	125	175	0.92	377	205	1.19	9.6	Ld	
GL99AAb	9.95	1/4	LBP	S	220-240V 50Hz ~1	CSIR	R	C-V	83	125	175	0.92	377	205	1.19	9.6	Ld	
 GPY12AAa	12.10	3/8	LBP	S	220-240V 50Hz ~1	RSIR	P	C	128	178	241	0.96	500	280	1.23	11.5	Pd	
 GPY12AAb	12.10	3/8	LBP	S	220-240V 50Hz ~1	RSCR	P	C	128	178	241	1.04	500	280	1.33	11.5	Pd	
 GPY12LAa	12.10	3/8	LBP	F	220-240V 50Hz ~1	CSIR	R	C-V	113	162	225	1.00	509	265	1.30	12.1	Pd	
 GPY12LAb	12.10	3/8	LBP	F	220-240V 50Hz ~1	CSR	R	C-V	113	162	225	1.06	509	265	1.38	12.1	Pd	
GP12AB	12.05	1/3	LBP	S	220-240V 50Hz ~1	RSIR	R	C	83	132	190	0.88	424	225	1.14	11.5	Pc	
GP12CB	12.05	1/3	LBP	F	220-240V 50Hz ~1	RSIR	R	C	83	132	190	0.88	424	225	1.14	11.5	Pc	
GP12FB	12.05	1/3	LBP	F	220-240V 50Hz ~1	CSIR	R	C-V	83	132	190	0.88	424	225	1.14	11.5	Pc	
GPM12CA	12.10	3/8	LBP	F	220-240V 50Hz ~1	RSIR	R	C	128	178	241	0.94	500	280	1.21	11.3	Pc	



 Green Cooling Models (*) Or HF01234yf / See design drawing on page 66

 New Models

This table continues in the following page














R134a (*) HMBP | HBP • 50 Hz

MODEL	DISPLACEMENT cm ³	POWER hp	APPLICATION	CPR COOLING	VOLTAGE FREQUENCY	MOTOR	STARTING	EXPANSION	REFRIGERATION CAPACITY								WEIGHT Kg	DESIGN
									COP in W/W 1 W = 0,864 kcal/h = 3,415 BTU/h Evaporating Temperature °C									
									Cecomaf (W)				Ashrae					
									-25	-15	5		10	7.2				
											W	COP		kcal/h	COP			
GD24MBc	2.44	1/14	HBP	S	220-240V 50Hz ~1	CSIR	R	C-V	36	64	174	1.43	212	180	1.67	5.1	Db	
GD30MBa	3.08	1/10	HMBP	S	220-240V 50Hz ~1	RSIR	P	C	49	88	233	1.52	282	240	1.74	5.8	Dc	
GD30MBb	3.08	1/10	HMBP	F	220-240V 50Hz ~1	RSIR	P	C	49	88	233	1.52	282	240	1.74	5.8	Dc	
GD30MBc	3.08	1/10	HMBP	S	220-240V 50Hz ~1	CSIR	R	C-V	49	88	233	1.52	282	240	1.74	5.8	Dc	
GD30MBd	3.08	1/10	HMBP	F	220-240V 50Hz ~1	CSIR	R	C-V	49	88	233	1.52	282	240	1.74	5.8	Dc	
GD36MBa	3.62	1/10	HMBP	S	220-240V 50Hz ~1	RSIR	P	C	53	96	261	1.52	318	270	1.74	6.7	Dd	
GD36MBb	3.62	1/10	HMBP	F	220-240V 50Hz ~1	RSIR	P	C	53	96	261	1.52	318	270	1.74	6.7	Dd	
GD36MBc	3.62	1/10	HMBP	S	220-240V 50Hz ~1	CSIR	R	C-V	53	96	261	1.52	318	270	1.74	6.7	Dd	
GD36MBd	3.62	1/10	HMBP	F	220-240V 50Hz ~1	CSIR	R	C-V	53	96	261	1.52	318	270	1.74	6.7	Dd	
GD40MBa	4.06	1/8	HMBP	S	220-240V 50Hz ~1	RSIR	P	C	64	117	301	1.56	363	310	1.8	6.7	Dd	
GD40MBb	4.06	1/8	HMBP	F	220-240V 50Hz ~1	RSIR	P	C	64	117	301	1.56	363	310	1.8	6.7	Dd	
GD40MBc	4.06	1/8	HMBP	S	220-240V 50Hz ~1	CSIR	R	C-V	64	117	301	1.56	363	310	1.8	6.7	Dd	
GD40MBd	4.06	1/8	HMBP	F	220-240V 50Hz ~1	CSIR	R	C-V	64	117	301	1.56	363	310	1.8	6.7	Dd	
 GLY45RAa	4.56	1/6	HMBP	F	220-240V 50Hz ~1	CSIR	R	C-V	73	140	374	1.96	451	385	2.25	8.8	Lb	
 GLY45RAb	4.56	1/6	HMBP	F	220-240V 50Hz ~1	CSR	R	C-V	73	140	374	2.13	451	385	2.46	8.8	Lb	
GL45PB	4.50	1/6	HMBP	F	220-240V 50Hz ~1	RSIR	R	C	76	134	342	1.62	413	352	1.86	8.4	Lb	
GL45TB	4.50	1/6	HMBP	F	220-240V 50Hz ~1	CSIR	R	C-V	76	134	342	1.62	413	352	1.86	8.0	Lb	
GL45MG	4.50	1/6	HBP	S	230V 50/60Hz ~1	CSIR	R	C-V	71	133	342	1.69	412	352	1.95	8.8	Lb	
GL45TG	4.50	1/6	HMBP	F	200-240/220-230V 50/60Hz ~1	CSIR	R	C-V	76	134	342	1.68	413	352	1.95	8.8	Lb	
 GLY60RAa	5.98	1/5	HMBP	F	220-240V 50Hz ~1	CSIR	R	C-V	106	191	486	2.06	586	500	2.36	9.9	Lc	
 GLY60RAb	5.98	1/5	HMBP	F	220-240V 50Hz ~1	CSR	R	C-V	106	191	486	2.25	586	500	2.60	9.9	Lc	
GL60PB	5.68	1/5	HMBP	F	220-240V 50Hz ~1	RSIR	R	C	95	170	437	1.82	528	450	2.09	9.5	Lc	
GL60TB	5.68	1/5	HMBP	F	220-240V 50Hz ~1	CSIR	R	C-V	95	170	437	1.82	528	450	2.09	8.6	Lb	
GL60TG	5.68	1/5	HMBP	F	200-240/220-230V 50/60Hz ~1	CSIR	R	C-V	95	170	437	1.82	528	450	2.09	9.9	Lc	
GL60MG	5.68	1/5	HBP	S	230V 50/60Hz ~1	CSIR	R	C-V	85	155	429	1.71	526	445	1.99	9.9	Lb	
GL60TC	5.68	1/5	HMBP	F	100V 50/60Hz ~1	CSIR	R	C-V	95	170	437	1.73	528	450	2.01	9.8	Lc	

 Green Cooling Models (*) Or HF01234yf / See design drawing on page 66
 New Models

This table continues in the following page

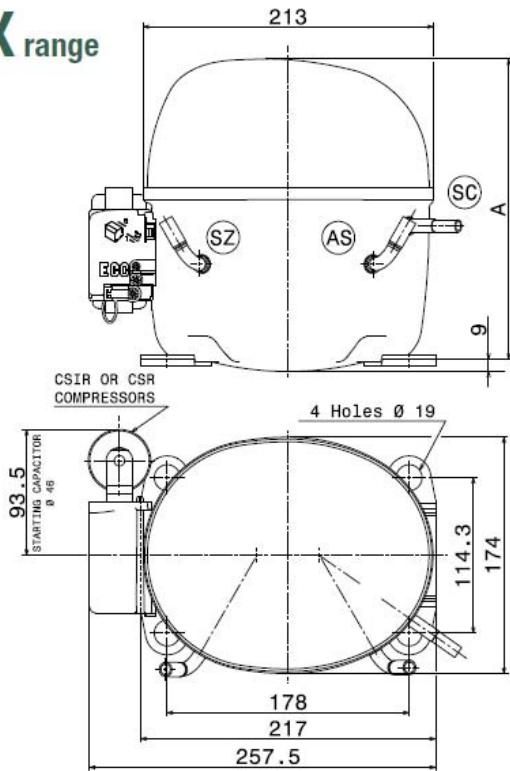
R134a (*) HMBP | HBP • 50 Hz

MODEL	DISPLACEMENT cm ³	POWER hp	APPLICATION	CPR COOLING	VOLTAGE FREQUENCY	MOTOR	STARTING	EXPANSION	REFRIGERATION CAPACITY								WEIGHT Kg	DESIGN
									COP in W/W 1 W = 0,864 kcal/h = 3,415 BTU/h Evaporating Temperature °C									
									Cecomaf (W)				Ashrae					
									-25	-15	5		10	7.2				
											W	COP		kcal/h	COP			
 GLY80RAa	8.10	1/5	HMBP	F	220-240V 50Hz ~1	CSIR	R	C-V	159	275	681	2.17	819	700	2.50	10.4	Lc	
 GLY80RAb	8.10	1/5	HMBP	F	220-240V 50Hz ~1	CSR	R	C-V	159	275	681	2.35	819	700	2.71	10.4	Lc	
GL80PB	7.57	1/5	HMBP	F	220-240V 50Hz ~1	RSIR	R	C	111	212	554	1.83	668	570	2.10	9.5	Lc	
GL80TB	7.57	1/5	HMBP	F	220-240V 50Hz ~1	CSIR	R	C-V	111	212	554	1.83	668	570	2.10	9.2	Lc	
GL80TG	7.57	1/5	HMBP	F	200-220/220-230V 50/60Hz ~1	CSIR	R	C-V	111	212	554	1.83	668	570	2.10	10.1	Lc	
GL80MG	7.57	1/5	HBP	S	230V 50/60Hz ~1	CSIR	R	C-V	136	220	579	1.80	709	600	2.11	10.1	Lc	
GL80TC	7.57	1/5	HMBP	F	100V 50/60Hz ~1	CSIR	R	C-V	111	212	554	1.87	668	570	2.21	10.4	Lc	
 GLY90RAa	9.09	1/4	HMBP	F	220-240V 50Hz ~1	CSIR	R	C-V	169	298	748	2.06	901	770	2.37	10.5	Lc	
 GLY90RAb	9.09	1/4	HMBP	F	220-240V 50Hz ~1	CSR	R	C-V	169	298	748	2.27	901	770	2.61	10.5	Lc	
GL90PB	8.85	1/4	HMBP	F	220-240V 50Hz ~1	RSIR	R	C	143	259	661	1.91	796	680	2.20	10.8	Ld	
GL90TB	8.85	1/4	HMBP	F	220-240V 50Hz ~1	CSIR	R	C-V	143	259	661	1.91	796	680	2.20	9.6	Lc	
GL90TG	8.85	1/4	HMBP	F	200-220/220-230V 50/60Hz ~1	CSIR	R	C-V	143	259	661	1.81	796	680	2.08	10.8	Ld	
GL90MG	8.85	1/4	HBP	S	230V 50/60Hz ~1	CSIR	R	C-V	110	242	665	1.81	803	685	2.10	10.8	Ld	
GL90TC	8.85	1/4	HMBP	F	100V 50/60Hz ~1	CSIR	R	C-V	143	259	661	1.76	796	680	2.08	10.9	Ld	
 GLY99RAa (**)	9.95	3/8	HMBP	F	220-240V 50Hz ~1	CSIR	R	C-V	189	328	814	2.01	972	836	2.31	10.8	Ld	
 GLY99RAb (**)	9.95	3/8	HMBP	F	220-240V 50Hz ~1	CSR	R	C-V	189	328	814	2.18	972	836	2.49	10.8	Ld	
GL11TB	10.97	3/8	HMBP	F	220-240V 50Hz ~1	CSIR	R	C-V	190	330	817	1.94	985	840	2.23	10.3	Ld	
 GPY12RAa	12.10	3/8	HMBP	F	220-240V 50Hz ~1	CSIR	R	C-V	228	401	993	2.05	1192	1020	2.35	12.6	Pd	
 GPY12RAb	12.10	3/8	HMBP	F	220-240V 50Hz ~1	CSR	R	C-V	228	401	993	2.24	1192	1020	2.58	12.6	Pd	
GP12PB	12.05	3/8	HMBP	F	220-240V 50Hz ~1	RSIR	R	C	169	338	893	1.80	1077	920	2.06	11.2	Pc	
GP12TB	12.05	3/8	HBP	F	220-240V 50Hz ~1	CSIR	R	C-V	169	338	893	1.80	1077	920	2.06	10.1	Pc	
GP12TG	12.05	3/8	HBP	F	200-220/220-230V 50/60Hz ~1	CSIR	R	C-V	169	338	893	1.77	1077	920	2.02	11.2	Pc	
 GPY14RAa	14.32	3/8	HMBP	F	220-240V 50Hz ~1	CSIR	R	C-V	296	492	1161	1.98	1386	1190	2.27	12.6	Pd	
 GPY14RAb	14.32	3/8	HMBP	F	220-240V 50Hz ~1	CSR	R	C-V	296	492	1161	2.18	1386	1190	2.50	12.6	Pd	
 GPY16RAa	16.15	3/8	HMBP	F	220-240V 50Hz ~1	CSIR	R	C-V	315	522	1248	2.20	1490	1351	2.31	12.8	Pd	
 GPY16RAb	16.15	3/8	HMBP	F	220-240V 50Hz ~1	CSR	R	C-V	315	522	1248	2.38	1490	1351	2.50	12.8	Pd	
GP14PB	14.17	3/8	HMBP	F	220-240V 50Hz ~1	RSIR	R	C	191	373	999	1.77	1209	1030	2.03	11.5	Pd	
GP14TB	14.17	3/8	HBP	F	220-240V 50Hz ~1	CSIR	R	C-V	191	373	999	1.77	1209	1030	2.03	11.2	Pd	
GP14TG	14.17	3/8	HMBP	F	200-220/220-230V 50/60Hz ~1	CSIR	R	C-V	191	373	999	1.77	1209	1030	2.03	12.9	Pd	
GP16TB	16.15	3/8	HBP	F	220-240V 50Hz ~1	CSIR	R	C-V	269	476	1205	1.81	1452	1240	2.09	13.1	Pd	
GP16TG	16.15	3/8	HBP	F	200-220/230V 50/60Hz ~1	CSIR	R	C-V	269	476	1205	1.82	1452	1240	2.09	12.9	Pd	
 GPT16RG	16.15	1/2	HBP	F	200-220/220-230V 50/60Hz ~1	CSR	R	C-V	305	539	1364	2.08	1644	1404	2.39	12.3	Pd	
GX18TB	18.40	1/2	HMBP	F	220-240V 50Hz ~1	CSIR	R	C-V	286	539	1390	1.91	1674	1430	2.20	15.0	Xc	
GX18TG	18.40	1/2	HMBP	F	200-220/220-230V 50/60Hz ~1	CSIR	R	C-V	286	539	1390	1.91	1674	1430	2.20	15.9	Xc	
GX21TB	20.72	5/8	HMBP	F	220-240V 50Hz ~1	CSIR	R	C-V	323	603	1550	1.90	1867	1595	2.18	17.0	Xd	
GX23TB	23.20	5/8	HMBP	F	220-240V 50Hz ~1	CSIR	R	C-V	368	678	1730	1.89	2083	1780	2.18	17.0	Xd	
GX23TG	23.20	5/8	HMBP	F	200-220/220-230V 50/60Hz ~1	CSIR	R	C-V	368	678	1730	1.80	2083	1780	2.08	17.0	Xd	
GS26TB	25.93	3/4	HMBP	F	220-240V 50Hz ~1	CSIR	R	C-V	265	703	2071	2.09	2515	2140	2.42	22.7	Sc	
GS26TG	25.93	3/4	HMBP	F	200-220/220-230V 50/60Hz ~1	CSIR	R	C-V	265	703	2071	2.15	2515	2140	2.49	22.7	Sc	
GS26T3	25.93	3/4	HMBP	F	400/440V 50/60Hz ~3	3PHASE	R	C-V	265	703	2071	2.21	2515	2140	2.55	22.7	Sc	
GS30TB	29.95	7/8	HMBP	F	220-240V 50Hz ~1	CSR	R	C-V	318	786	2452	2.33	3020	2550	2.70	22.7	Sd	
GS30TG	29.95	7/8	HMBP	F	200-220/220-230V 50/60Hz ~1	CSR	R	C-V	318	786	2452	2.33	3020	2550	2.70	23.0	Sd	
GS34TB	34.42	1	HMBP	F	220-240V 50Hz ~1	CSR	R	C-V	476	1068	2852	2.28	3422	2931	2.62	22.7	Sd	

 Green Cooling Models (*) Or HFO1234yf (**) Model under development. Provisional performances/data. / See design drawing on page 66

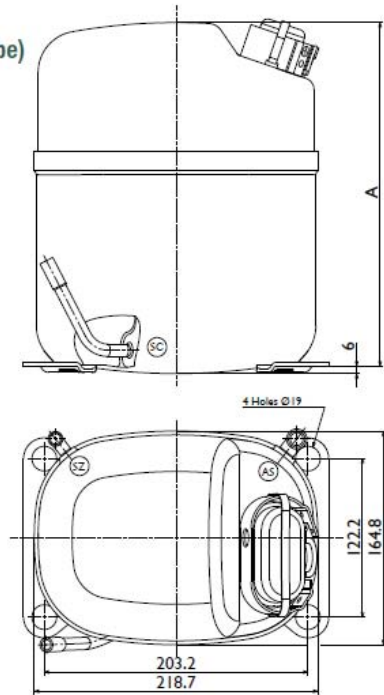
 New Models

X range



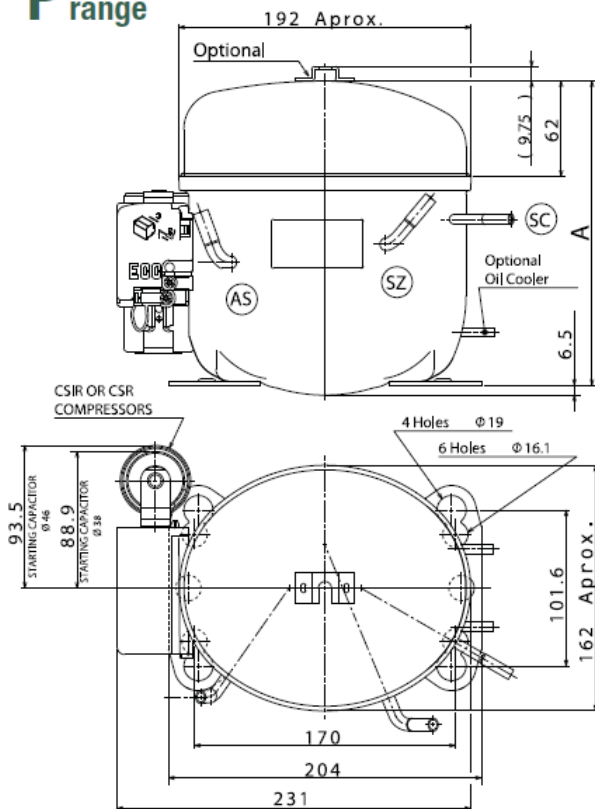
	A (mm)	LEGEND
Xc	215	AS Suction
Xd	221	SC Discharge
		SZ Service

S range (Tube)



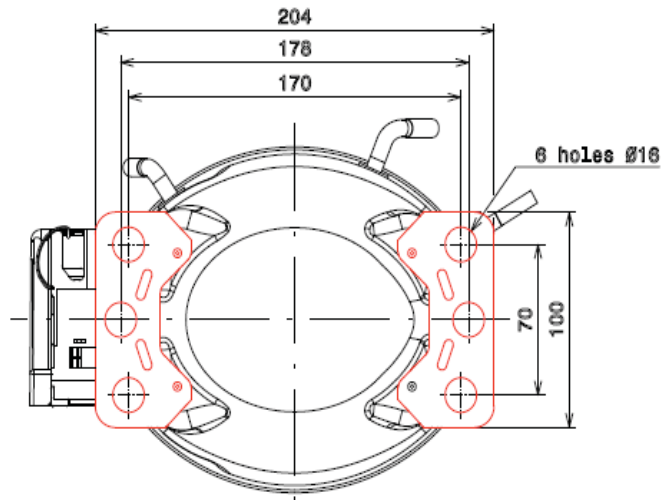
	A (mm)	TUBE	LEGEND
Sb	252		AS Suction
Sc	265		SC Discharge
Sd	276		SZ Service

P range

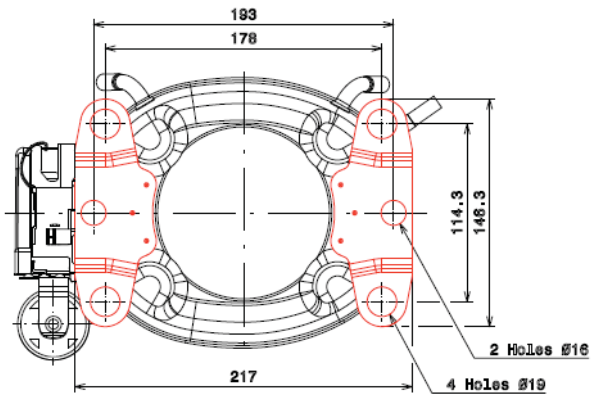


	A (mm)	LEGEND
Pc	198.1	AS Suction/Service
Pd	210.5	SC Discharge
		SZ Service/Suction

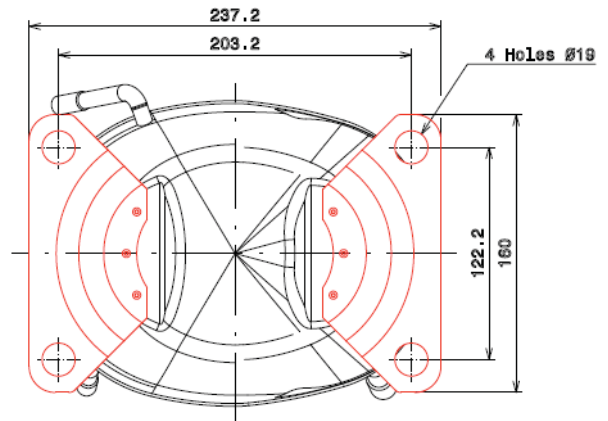
L / P Range



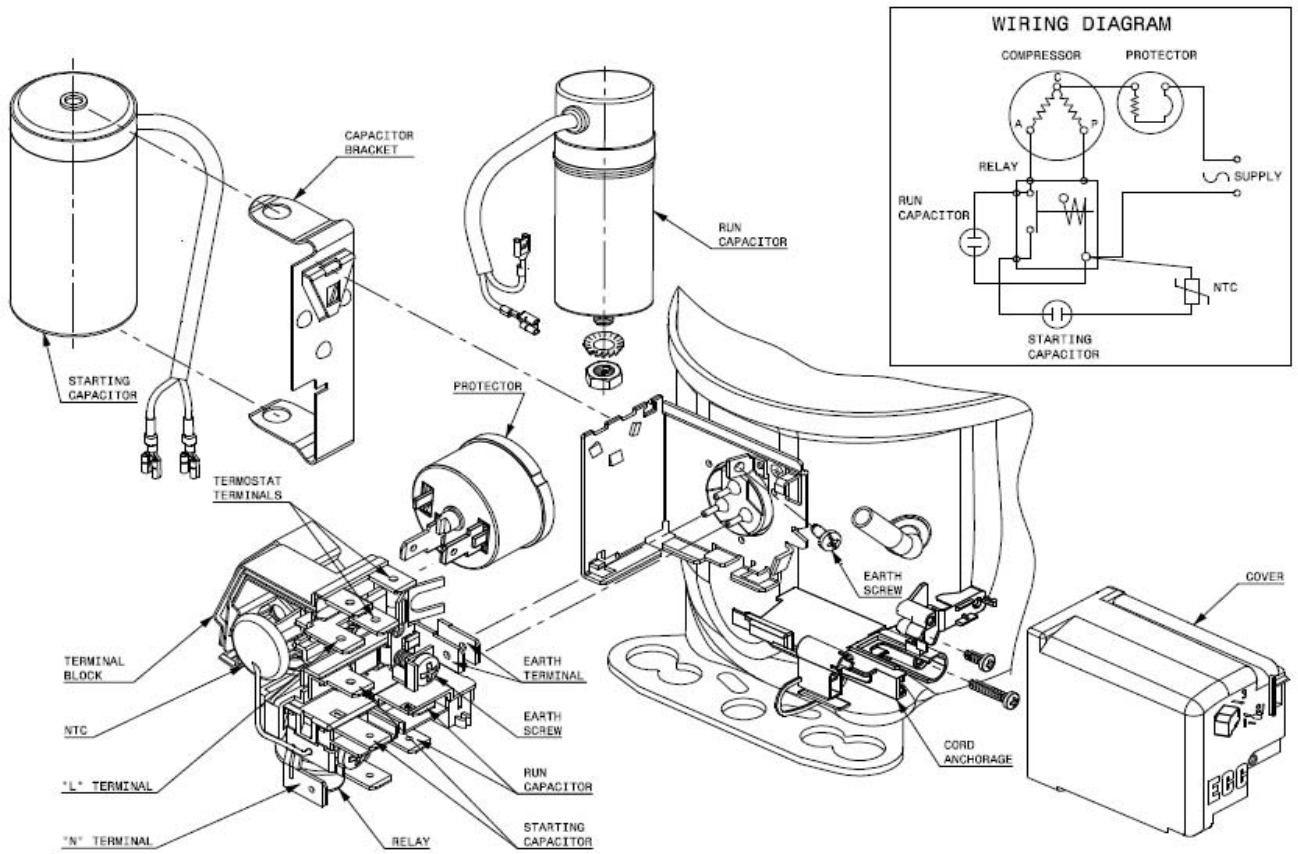
X Range



S Range



CSR CONNECTION (CURRENT RELAY + NTC)



CSIR CONNECTION

