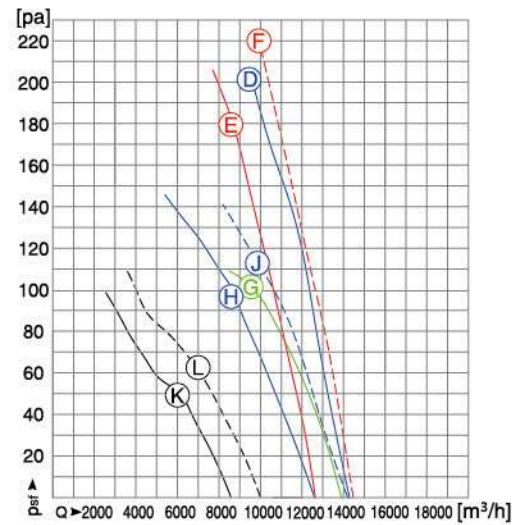
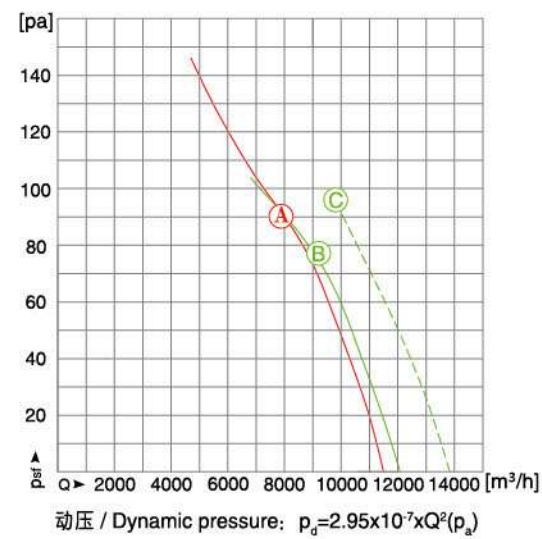


MaEr Fan Motor

Professional · Honest · Human Oriented



Ø 710 AC AXIAL FAN 外转子轴流风机



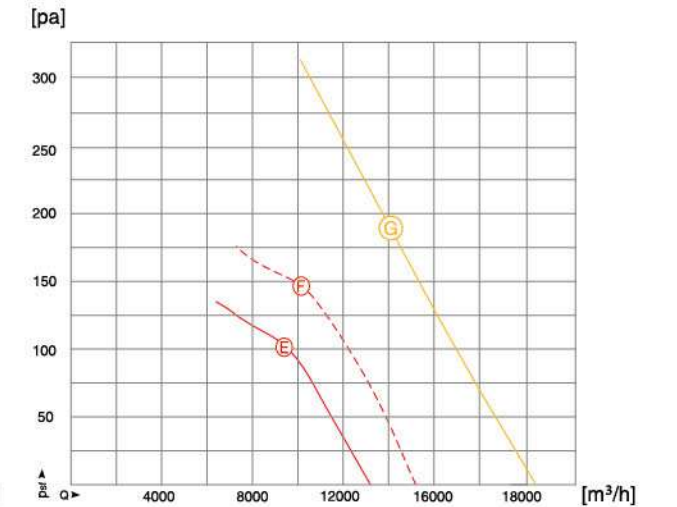
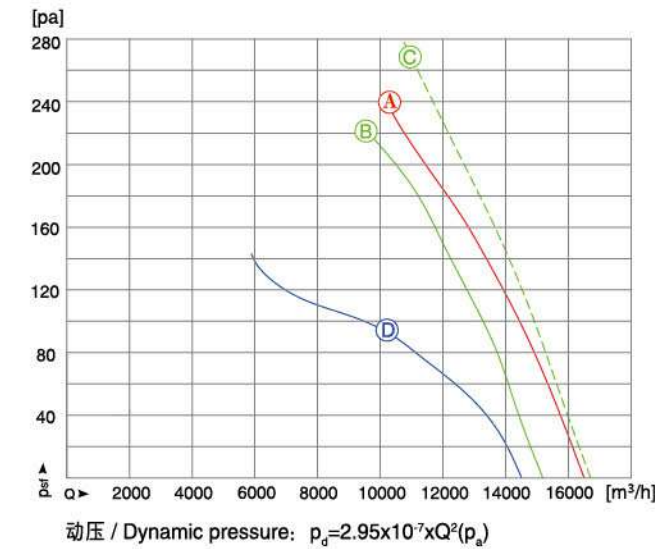
型号 Model	电压 Voltage	频率 Frequency	电容器 Capacitor	曲线 Curve	输入功率 Power	转速 RPM	电流 Current	静压 Psf	环境温度 Temp.	静压效率 ηsf	能效值 EFF.Grade	噪声 Noise	备注 Note
	V	Hz	μF/450V	NO.	W	r/min	A	Pa	℃	%	N	dB(A)	
YDWF127L50P6-□-710	1~220	50	20	A	612	930	2.82	90	-40~+70	32.88	40.4	73	
YDWF127L50P6-□-710	1~220	50	20	B	692	917	3.162	77	-40~+70	28.01	35.2	74	
		60		C	1062	982	4.816	98	-40~+60	24.23	30.3	76	
YSWF127L50P4-□-710	3~380	50	—	D	1494	1368	2.738	201	-40~+55	35.09	41	80	
YSWF127L50P4-□-710	3~380	50	—	E	1229	1388	2.327	181	-40~+60	35.31	41	78	
		60		F	1917	1551	3.207	220	-40~+60	31.7	36.1	81	
YSWF127L50P6-□-710	3~380	50	—	G	923	903	2.083	103	-40~+70	29.18	35.6	73	
YSWF127L50P6-□-710	3~380	50	—	H	714	930	1.894	99	-40~+70	33.68	40.8	73	
YSWF127L50P6-□-710	3~380	60	—	J	1014	1064	2.035	112	-40~+70	30.6	36.8	76	
		50		K	315	703	0.884	51	-40~+70	27.09	36	62	
YSWF127L50P8-□-710	3~380	60	—	L	439	802	0.91	63	-40~+70	27.32	36	65	

MaEr Fan Motor

Professional · Honest · Human Oriented



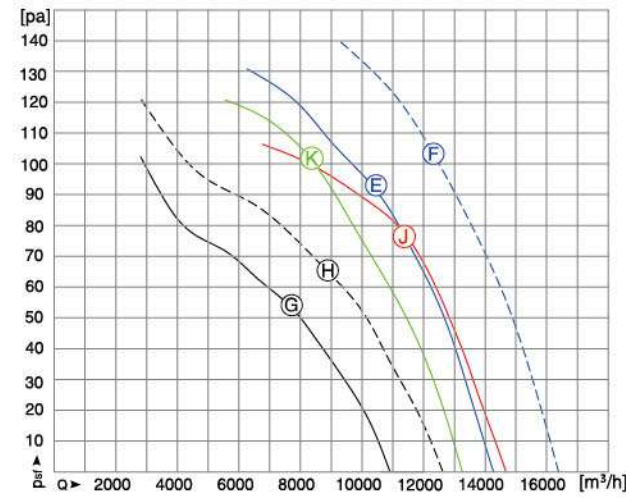
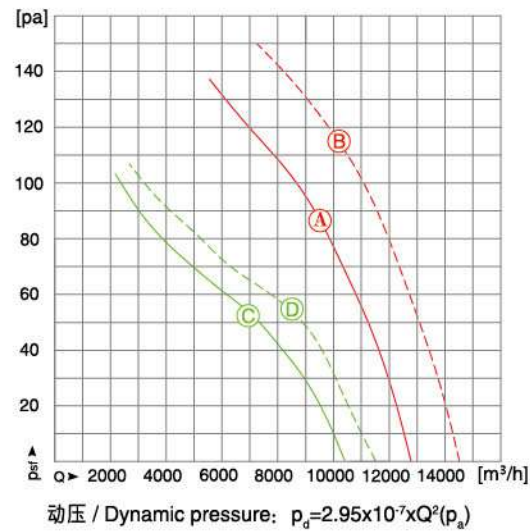
Ø 710 AC AXIAL FAN 外转子轴流风机



型号 Model	电压 Voltage	频率 Frequency	电容器 Capacitor	曲线 Curve	输入功率 Power	转速 RPM	电流 Current	静压 Psf	环境温度 Temp.	静压效率 ηsf	能效值 EFF.Grade	噪声 Noise	备注 Note
	V	Hz	μF/450V	NO.	W	r/min	A	Pa	℃	%	N	dB(A)	
YSWF127L65P4-□-710	3~380	50	—	A	1862	1383	3.56	240	-40~+50	36.53	41	81	
YSWF127L65P4-□-710	3~380	50	—	B	1621	1399	2.98	222	-40~+55	36.33	41.5	80	
		60		C	2340	1594	3.98	278	-40~+50	35.49	39	83	
YSWF127L65P6-□-710	3~380	50	—	D	1022	922	2.49	93	-40~+70	25.82	31.9	75	
YSWF127L65P6-□-710	3~380	50	—	E	803	944	2.33	102	-40~+75	33.49	40.3	74	
		60		F	1205	1081	2.47	148	-40~+75	34.74	40.5	77	
YSWF127L80P4-840N-710	3~380	50	—	G	2170	1396	3.80	223	-40~+60	34.37	38.7	81	

注：性能曲线在安装马尔导风圈时测得。Note: The performance curve is tested with MaEr wall plate.

Ø 710 AC AXIAL FAN 外转子轴流风机

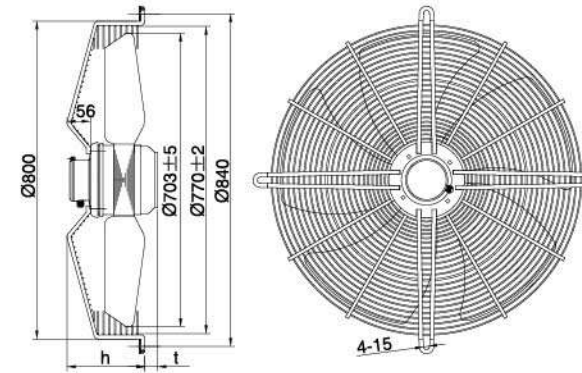


型号 Model	电压 Voltage	频率 Frequency	电容器 Capacitor	曲线 Curve	输入功率 Power	转速 RPM	电流 Current	静压 Psf	环境温度 Temp.	静压效率 η _{sf}	能效值 EFF.Grade	噪声 Noise	备注 Note
	V	Hz	μF/450V	NO.	W	r/min	A	Pa	℃	%	N	dB(A)	
YSWF127L50P6-□-710-7	3~380	50	—	A	791	922	1.77	87	-40~+65	29.42	36.3	74	
		60		B	1198	1023	2.14	116	-40~+60	30.93	37.1	77	
YSWF127L50P8-□-710-7	3~380	50	—	C	496	669	1.10	53	-40~+65	20.87	29	64	
		60		D	665	733	1.24	55	-40~+65	19.27	26.6	67	
YSWF127L65P6-□-710-7	3~380	50	—	E	985	921	2.28	92	-40~+65	27.03	33.3	75	
		60		F	1495	1027	2.75	124	-40~+60	25.17	30.3	78	
YSWF127L65P8-□-710-7	3~380	50	—	G	580	683	1.45	54	-40~+65	19.72	27.5	65	
		60		H	792	760	1.57	65	-40~+65	20.25	27.1	68	
YSWF127L65P6-□-710-7	3~380	50	—	J	1143	913	2.53	77	-40~+55	21.43	27.3	78	
YSWF127L50P6-□-710-7	3~380	50	—	K	953	901	1.99	101	-40~+55	24.68	31.0	73	

注：性能曲线在安装马尔导风圈时测得。Note: The performance curve is tested with MaEr wall plate.

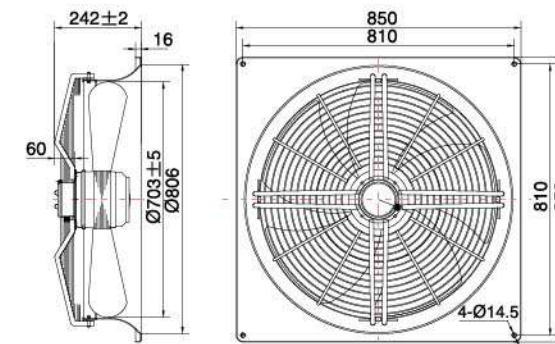
Ø 710 INSTALLATION ACCESSORIES 安装附件

□-840N



常规凹网罩 Concave grid 840N			
型号	MODEL	h	t
YD(S)WF127L50P6-840N-710		175	42
YSWF127L50P4-840N-710		175	42
YSWF127L50P8-840N-710		175	42
YSWF127L65P4-840N-710		175	57
YSWF127L65P6-840N-710		175	57
YSWF127L80P4-840N-710		175	72

□-810H



带导风圈 Wall plate 810H	
型号	MODEL
YD(S)WF127L50P6-810H-710	
YSWF127L50P4-810H-710	
YSWF127L50P8-810H-710	
YSWF127L65P4-810H-710	
YSWF127L65P6-810H-710	
YSWF127L80P4-810H-710	

MaEr Fan Motor

Professional · Honest · Human Oriented



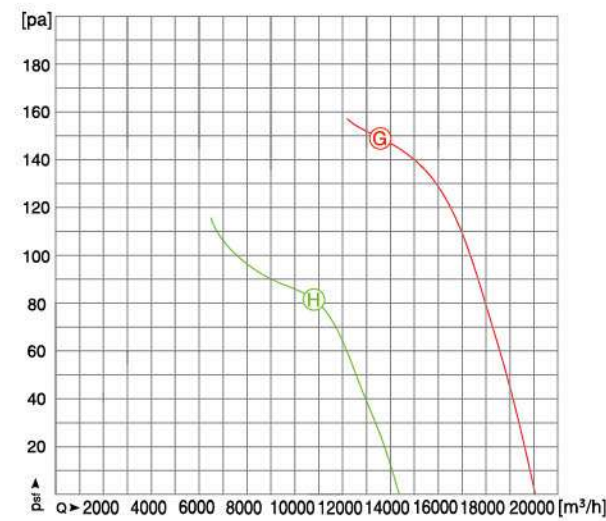
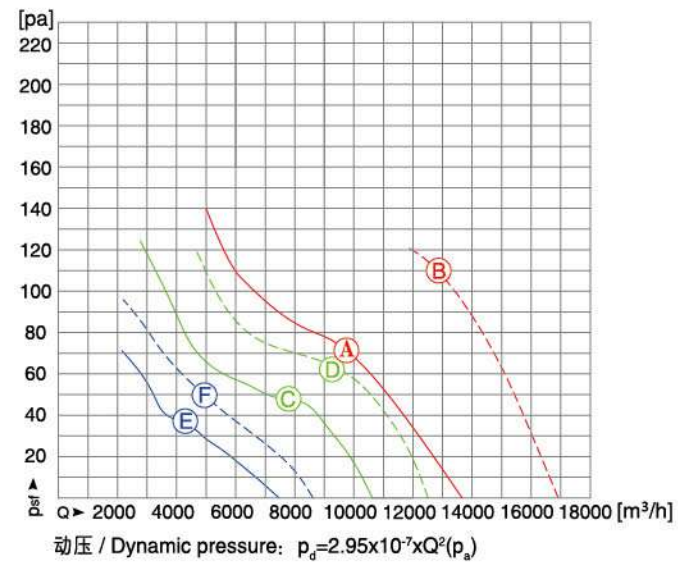
Ø 710 AC AXIAL FAN 外转子轴流风机



叶轮材质: 铝合金式
铝合金塑料混合式



Impeller Material: Aluminum
Hybrid



型号 Model	电压 Voltage	频率 Frequency	电容器 Capacitor	曲线 Curve	输入功率 Power	转速 RPM	电流 Current	静压 Psf	环境温度 Temp.	静压效率 ηsf	能效值 EFF.Grade	噪声 Noise	备注 Note
	V	Hz	μF/450V	NO.	W	r/min	A	Pa	℃	%	N	dB/(A)	
YSWF138L76P6-□-710	3~380	50	—	A	880	935	1.71	71	-40~+75	21.02	27.6	71	
		60	—	B	1489	1058	2.48	109	-40~+55	26.26	31.6	75	
YSWF138L76P8-□-710	3~380	50	—	C	494	717	1.47	46	-40~+70	21.46	30	65	
		60	—	D	703	835	1.46	66	-40~+70	23.24	31	68	
YSWF138L76P12-□-710	3~380	50	—	E	215	473	0.99	35	-40~+70	20.18	30.7	57	
		60	—	F	274	548	0.80	50	-40~+70	24.91	34.7	60	
YSWF138L100P4-□-710	3~380	50	—	G	2733	1352	4.66	149	-40~+60	20.60	24	86	
YSWF138L76P6-□-710	3~380	50	—	H	927	927	1.83	82	-40~+70	26.39	33	71	AL

注: 性能曲线在安装马尔导风圈时测得。Note: The performance curve is tested with MaEr wall plate.

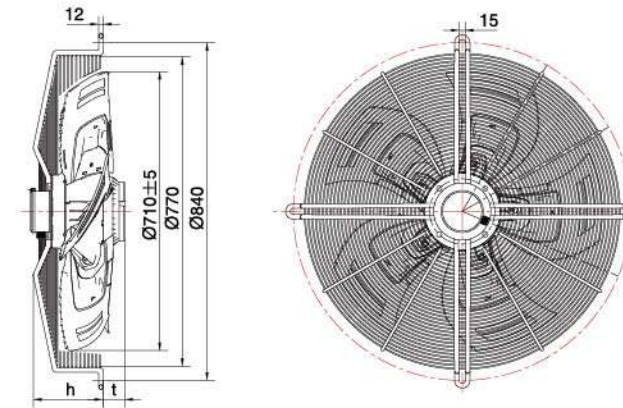
MaEr Fan Motor

Professional · Honest · Human Oriented



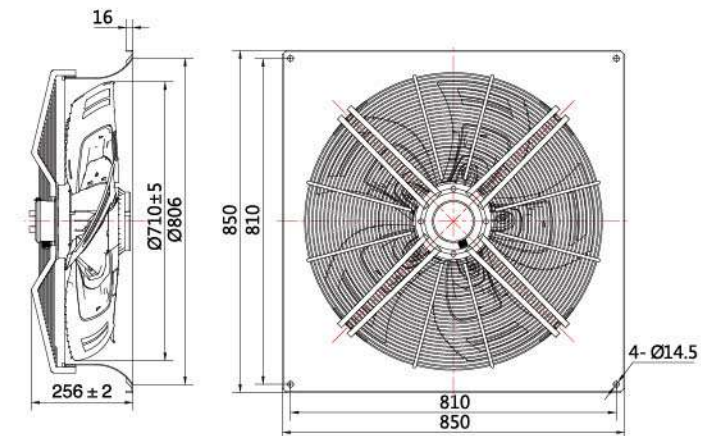
Ø 710 INSTALLATION ACCESSORIES 安装附件

□-840N



常规凹网罩 Concave grid 840N			
型号	MODEL	h	t
YSWF138L76P6-840N-710		175	66
YSWF138L76P8-840N-710		175	66
YSWF138L76P12-840N-710		175	66
YSWF138L100P4-840N-710		175	90
YSWF138L100P6-840N-710		175	90

□-810H



带导风圈 Wall plate 810H	
型号	MODEL
YSWF138L76P6-810H-710	
YSWF138L76P8-810H-710	
YSWF138L76P12-810H-710	
YSWF138L100P4-810H-710	
YSWF138L100P6-810H-710	