

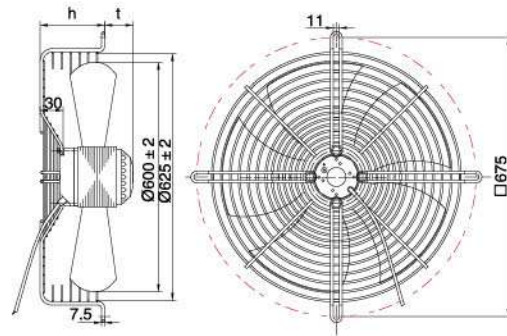
# MaEr Fan Motor

Professional · Honest · Human Oriented



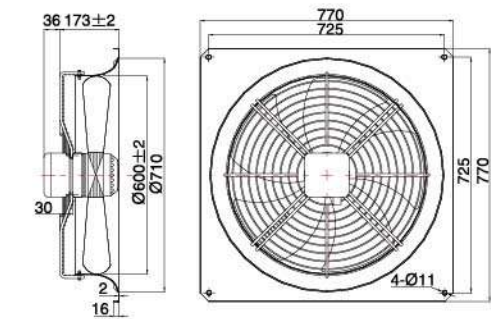
## Ø 600 INSTALLATION ACCESSORIES 安装附件

### □-675N



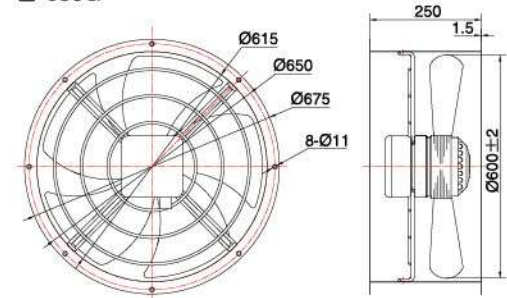
| 常规凹网罩 Concave grid 675N  |     |    | 低凹网罩 Low concave grid 675N70 |    |     |
|--------------------------|-----|----|------------------------------|----|-----|
| 型号 MODEL                 | h   | t  | 型号 MODEL                     | h  | t   |
| YD(S)WF102L60P4-675N-600 | 100 | 62 | YD(S)WF102L60P4-675N70-600   | 70 | 92  |
| YD(S)WF102L60P6-675N-600 | 100 | 62 | YD(S)WF102L60P6-675N70-600   | 70 | 92  |
| YD(S)WF102L70P4-675N-600 | 100 | 72 | YD(S)WF102L70P4-675N70-600   | 70 | 102 |

### □-725H



| 带导风圈 Wall plate 725H     |  |
|--------------------------|--|
| 型号 MODEL                 |  |
| YD(S)WF102L60P4-725H-600 |  |
| YD(S)WF102L60P6-725H-600 |  |
| YD(S)WF102L70P4-725H-600 |  |

### □-650G



| 带风筒 Air duct 650G        |  |
|--------------------------|--|
| 型号 MODEL                 |  |
| YD(S)WF102L60P4-650G-600 |  |
| YD(S)WF102L60P6-650G-600 |  |
| YD(S)WF102L70P4-650G-600 |  |

### □-其他安装附件 Others

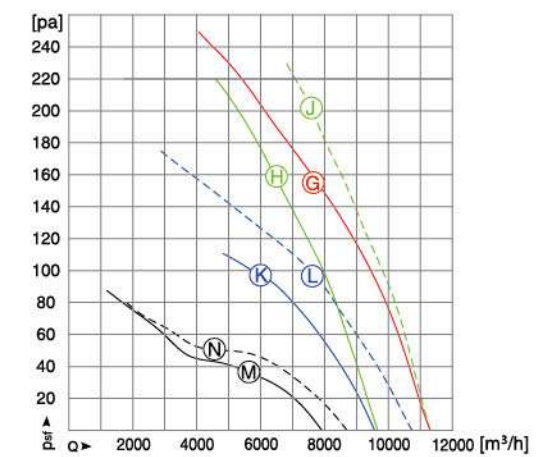
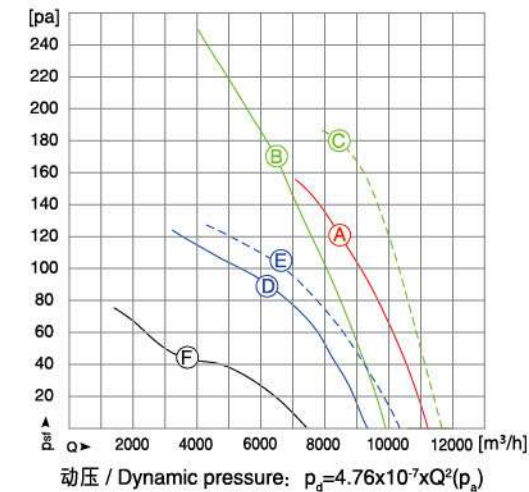
| 平网罩 Flat screen grid 675P |     |    | 平板网罩 Flat net grid 675B  |   |     | 凹板网罩 Concave flat grid 675NB |   |     |
|---------------------------|-----|----|--------------------------|---|-----|------------------------------|---|-----|
| 型号 MODEL                  | h   | t  | 型号 MODEL                 | h | t   | 型号 MODEL                     | h | t   |
| YD(S)WF102L60P4-675P-600  | 100 | 32 | YD(S)WF102L60P4-675B-600 | — | 132 | YD(S)WF102L60P4-675NB-600    | — | 162 |
| YD(S)WF102L60P6-675P-600  | 100 | 32 | YD(S)WF102L60P6-675B-600 | — | 132 | YD(S)WF102L60P6-675NB-600    | — | 162 |
| YD(S)WF102L70P4-675P-600  | 100 | 42 | YD(S)WF102L70P4-675B-600 | — | 142 | YD(S)WF102L70P4-675NB-600    | — | 172 |

# MaEr Fan Motor

Professional · Honest · Human Oriented



## Ø 630 AC AXIAL FAN 外转子轴流风机

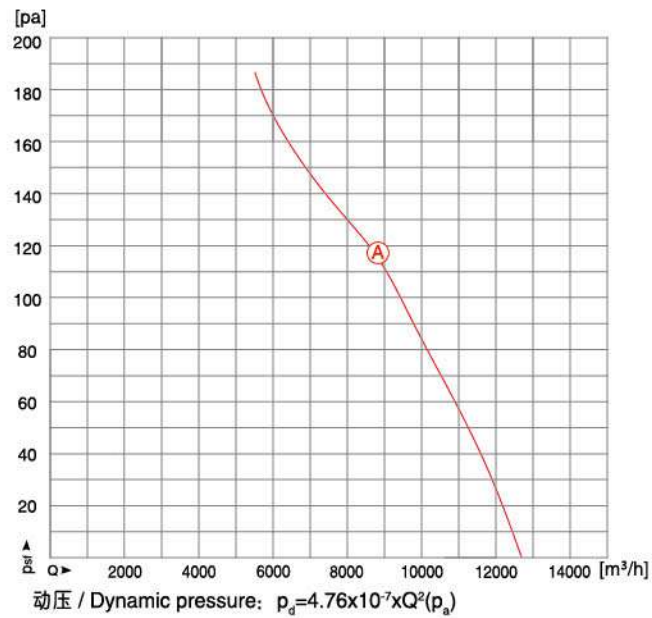


| 型号 Model           | 电压 Voltage | 频率 Frequency | 电容器 Capacitor | 曲线 Curve | 输入功率 Power | 转速 RPM | 电流 Current | 静压 Psf | 环境温度 Temp. | 静压效率 ηsf | 能效值 EFF.Grade | 噪声 Noise | 备注 Note |
|--------------------|------------|--------------|---------------|----------|------------|--------|------------|--------|------------|----------|---------------|----------|---------|
|                    | V          | Hz           | μF/450V       | NO.      | W          | r/min  | A          | Pa     | °C         | %        | N             | dB(A)    |         |
| YDWF102L70P4-□-630 | 1~220      | 50           | 20            | A        | 892        | 1349   | 4.04       | 120    | -40~+70    | 31.68    | 38.2          | 76       |         |
| YDWF102L70P4-□-630 | 1~220      | 50           | 20            | B        | 805        | 1398   | 3.86       | 170    | -40~+80    | 37.61    | 44.5          | 75       |         |
|                    |            | 60           | 20            | C        | 1193       | 1576   | 5.45       | 180    | -40~+65    | 35.24    | 41.0          | 78       |         |
| YDWF102L70P6-□-630 | 1~220      | 50           | 16            | D        | 479        | 919    | 2.22       | 91     | -40~+80    | 32.45    | 40.7          | 71       |         |
|                    |            | 60           | 16            | E        | 662        | 1038   | 3.01       | 104    | -40~+80    | 28.09    | 35.4          | 74       |         |
| YDWF102L70P8-□-630 | 1~220      | 50           | 12            | F        | 269        | 660    | 1.22       | 41     | -40~+70    | 19.37    | 29.2          | 63       |         |
| YSWF102L70P4-□-630 | 3~380      | 50           | —             | G        | 937        | 1378   | 1.75       | 155    | -40~+70    | 35.84    | 42.2          | 77       |         |
|                    |            | 60           | —             | H        | 735        | 1406   | 1.60       | 159    | -40~+80    | 38.90    | 45.9          | 75       |         |
| YSWF102L70P4-□-630 | 3~380      | 60           | —             | J        | 1131       | 1600   | 1.97       | 201    | -40~+65    | 37.53    | 43.4          | 78       |         |
|                    |            | 50           | —             | K        | 485        | 925    | 1.23       | 97     | -40~+85    | 33.70    | 41.9          | 71       |         |
| YSWF102L70P6-□-630 | 3~380      | 60           | —             | L        | 652        | 1063   | 1.30       | 96     | -40~+85    | 31.49    | 38.9          | 74       |         |
|                    |            | 50           | —             | M        | 317        | 661    | 0.69       | 36     | -40~+70    | 17.86    | 27.2          | 64       |         |
| YSWF102L70P8-□-630 | 3~380      | 60           | —             | N        | 427        | 706    | 0.77       | 47     | -40~+65    | 17.83    | 26.4          | 65       |         |

注：性能曲线在安装马尔导风圈时测得。Note: The performance curve is tested with MaEr wall plate.



Ø 630 AC AXIAL FAN 外转子轴流风机

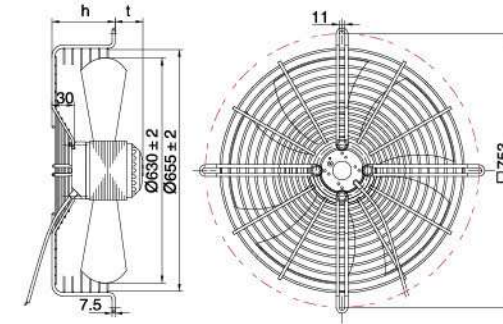


| 型号<br>Model           | 电压<br>Voltage | 频率<br>Frequency | 电容器<br>Capacitor | 曲线<br>Curve | 输入功率<br>Power | 转速<br>RPM | 电流<br>Current | 静压<br>Psf | 环境温度<br>Temp. | 静压效率<br>ηsf | 能效值<br>EFF.Grade | 噪声<br>Noise | 备注<br>Note |
|-----------------------|---------------|-----------------|------------------|-------------|---------------|-----------|---------------|-----------|---------------|-------------|------------------|-------------|------------|
|                       | V             | Hz              | μF/450V          | NO.         | W             | r/min     | A             | Pa        | ℃             | %           | N                | dB(A)       |            |
| YSWF102L70P4-□-630-7F | 3~380         | 50              | —                | A           | 1012          | 1373      | 1.98          | 117       | -40~+65       | 28.03       | 34.4             | 82          |            |

注：性能曲线在安装马尔导风圈时测得。Note: The performance curve is tested with MaEr wall plate.

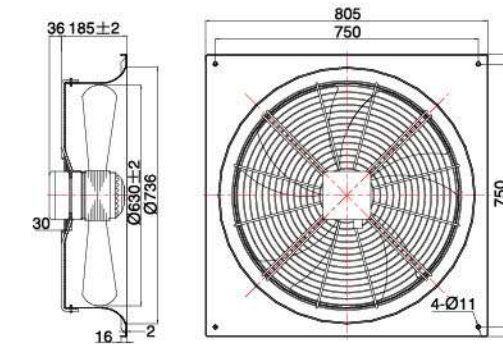
Ø 630 AC AXIAL FAN 外转子轴流风机

□-753N



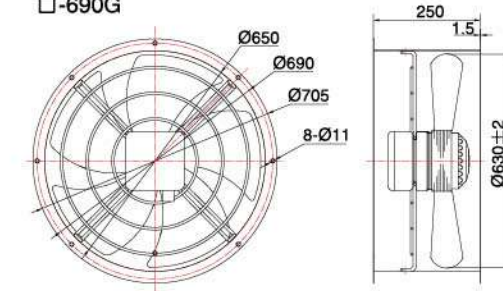
| 常规凹网罩 Concave grid 753N  |     |    |  | 低凹网罩 Low concave grid 753N40 |    |    |  |
|--------------------------|-----|----|--|------------------------------|----|----|--|
| 型号 MODEL                 | h   | t  |  | 型号 MODEL                     | h  | t  |  |
| YD(S)WF102L70P4-753N-630 | 100 | 62 |  | YD(S)WF102L70P4-753N40-630   | 70 | 92 |  |
| YD(S)WF102L70P6-753N-630 | 100 | 62 |  | YD(S)WF102L70P6-753N40-630   | 70 | 92 |  |
| YD(S)WF102L70P8-753N-630 | 100 | 62 |  | YD(S)WF102L70P8-753N40-630   | 70 | 92 |  |

□-750H



| 带导风圈 Wall plate 750H     |  |
|--------------------------|--|
| 型号 MODEL                 |  |
| YD(S)WF102L70P4-750H-630 |  |
| YD(S)WF102L70P6-750H-630 |  |
| YD(S)WF102L70P8-750H-630 |  |

□-690G



| 带风筒 Air duct 690G        |  |
|--------------------------|--|
| 型号 MODEL                 |  |
| YD(S)WF102L70P4-690G-630 |  |
| YD(S)WF102L70P6-690G-630 |  |
| YD(S)WF102L70P8-690G-630 |  |

□-其他安装附件 Others

| 平网罩 Flat screen grid 753P |     |    |  | 平板网罩 Flat net grid 753B  |   |     |  | 凹板网罩 Concave flat grid 753NB |   |     |  |
|---------------------------|-----|----|--|--------------------------|---|-----|--|------------------------------|---|-----|--|
| 型号 MODEL                  | h   | t  |  | 型号 MODEL                 | h | t   |  | 型号 MODEL                     | h | t   |  |
| YD(S)WF102L70P4-753P-630  | 100 | 32 |  | YD(S)WF102L70P4-753B-630 | — | 132 |  | YD(S)WF102L70P4-753NB-630    | — | 162 |  |
| YD(S)WF102L70P6-753P-630  | 100 | 32 |  | YD(S)WF102L70P6-753B-630 | — | 132 |  | YD(S)WF102L70P6-753NB-630    | — | 162 |  |
| YD(S)WF102L70P8-753P-630  | 100 | 32 |  | YD(S)WF102L70P8-753B-630 | — | 132 |  | YD(S)WF102L70P8-753NB-630    | — | 162 |  |

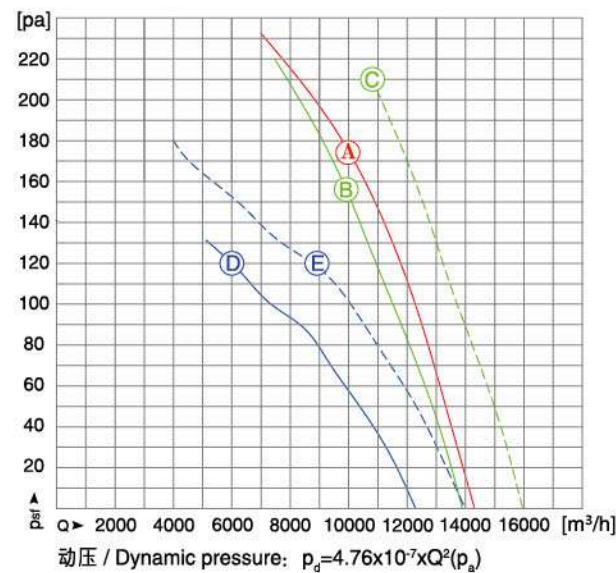


# MaEr Fan Motor

Professional · Honest · Human Oriented



Ø 630 AC AXIAL FAN 外转子轴流风机



| 型号<br>Model        | 电压<br>Voltage | 频率<br>Frequency | 电容器<br>Capacitor | 曲线<br>Curve | 输入功率<br>Power | 转速<br>RPM | 电流<br>Current | 静压<br>Psf | 环境温度<br>Temp. | 静压效率<br>ηsf | 能效值<br>EFF.Grade | 噪声<br>Noise | 备注<br>Note |
|--------------------|---------------|-----------------|------------------|-------------|---------------|-----------|---------------|-----------|---------------|-------------|------------------|-------------|------------|
|                    | V             | Hz              | μF/450V          | NO.         | W             | r/min     | A             | Pa        | ℃             | %           | N                | dB(A)       |            |
| YSWF127L50P4-□-630 | 3~380         | 50              | —                | A           | 1442          | 1369      | 2.65          | 177       | -40~+55       | 33.81       | 39.1             | 78          |            |
| YSWF127L50P4-□-630 | 3~380         | 50              | —                | B           | 1219          | 1397      | 2.34          | 156       | -40~+65       | 35.29       | 41               | 77          |            |
| YSWF127L50P4-□-630 | 3~380         | 60              | —                | C           | 1954          | 1563      | 3.25          | 212       | -40~+50       | 32.37       | 36.8             | 80          |            |
| YSWF127L50P6-□-630 | 3~380         | 50              | —                | D           | 777           | 906       | 1.69          | 120       | -40~+65       | 26.74       | 33.7             | 71          |            |
| YSWF127L50P6-□-630 | 3~380         | 60              | —                | E           | 1172          | 1014      | 2.07          | 120       | -40~+55       | 24.95       | 30.8             | 74          |            |

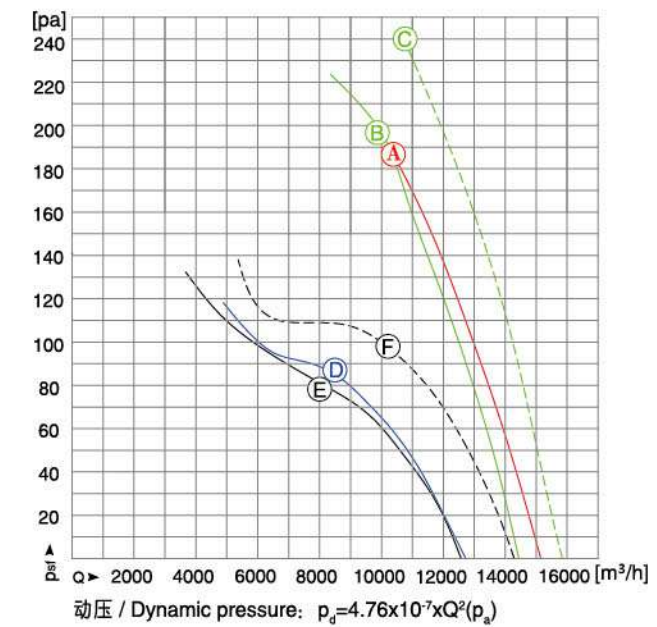
注：性能曲线在安装马尔导风圈时测得。Note: The performance curve is tested with MaEr wall plate.

# MaEr Fan Motor

Professional · Honest · Human Oriented



Ø 630 AC AXIAL FAN 外转子轴流风机



| 型号<br>Model        | 电压<br>Voltage | 频率<br>Frequency | 电容器<br>Capacitor | 曲线<br>Curve | 输入功率<br>Power | 转速<br>RPM | 电流<br>Current | 静压<br>Psf | 环境温度<br>Temp. | 静压效率<br>ηsf | 能效值<br>EFF.Grade | 噪声<br>Noise | 备注<br>Note |
|--------------------|---------------|-----------------|------------------|-------------|---------------|-----------|---------------|-----------|---------------|-------------|------------------|-------------|------------|
|                    | V             | Hz              | μF/450V          | NO.         | W             | r/min     | A             | Pa        | ℃             | %           | N                | dB(A)       |            |
| YSWF127L65P4-□-630 | 3~380         | 50              | —                | A           | 1646          | 1392      | 3.33          | 188       | -40~+60       | 32.75       | 38               | 80          |            |
| YSWF127L65P4-□-630 | 3~380         | 50              | —                | B           | 1549          | 1401      | 3.16          | 198       | -40~+65       | 35.28       | 40.3             | 78          |            |
| YSWF127L65P4-□-630 | 3~380         | 60              | —                | C           | 2108          | 1614      | 3.66          | 241       | -40~+55       | 33.97       | 38.1             | 82          |            |
| YSWF127L65P6-□-630 | 3~380         | 50              | —                | D           | 983           | 922       | 2.46          | 84        | -40~+65       | 20.28       | 27               | 73          |            |
| YSWF127L65P6-□-630 | 3~380         | 50              | —                | E           | 882           | 932       | 2.17          | 81        | -40~+70       | 20.81       | 27.4             | 72          |            |
| YSWF127L65P6-□-630 | 3~380         | 60              | —                | F           | 1297          | 1058      | 2.46          | 98        | -40~+60       | 21.39       | 26.9             | 75          |            |

注：性能曲线在安装马尔导风圈时测得。Note: The performance curve is tested with MaEr wall plate.

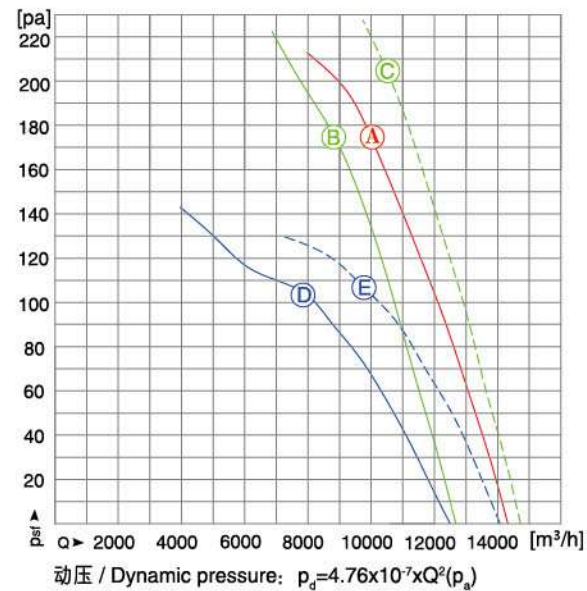


# MaEr Fan Motor

Professional · Honest · Human Oriented



Ø 630 AC AXIAL FAN 外转子轴流风机



| 型号<br>Model          | 电压<br>Voltage | 频率<br>Frequency | 电容器<br>Capacitor | 曲线<br>Curve | 输入功率<br>Power | 转速<br>RPM | 电流<br>Current | 静压<br>Psf | 环境温度<br>Temp. | 静压效率<br>ηsf | 能效值<br>EFF.Grade | 噪声<br>Noise | 备注<br>Note |
|----------------------|---------------|-----------------|------------------|-------------|---------------|-----------|---------------|-----------|---------------|-------------|------------------|-------------|------------|
|                      | V             | Hz              | μF/450V          | NO.         | W             | r/min     | A             | Pa        | ℃             | %           | N                | dB(A)       |            |
| YSWF127L50P4-□-630-7 | 3~380         | 50              | —                | A           | 1453          | 1363      | 2.62          | 176       | -40~+55       | 33.46       | 38.7             | 78          |            |
| YSWF127L50P4-□-630-7 | 3~380         | 50              | —                | B           | 1197          | 1394      | 2.30          | 177       | -40~+70       | 35.98       | 41.8             | 75          |            |
| YSWF127L50P4-□-630-7 | 3~380         | 60              | —                | C           | 1795          | 1576      | 3.00          | 206       | -40~+50       | 33.31       | 38               | 80          |            |
| YSWF127L50P6-□-630-7 | 3~380         | 50              | —                | D           | 842           | 907       | 1.79          | 104       | -40~+65       | 26.79       | 33.6             | 71          |            |
| YSWF127L50P6-□-630-7 | 3~380         | 60              | —                | E           | 1180          | 1011      | 2.10          | 108       | -40~+65       | 24.64       | 30.5             | 74          |            |

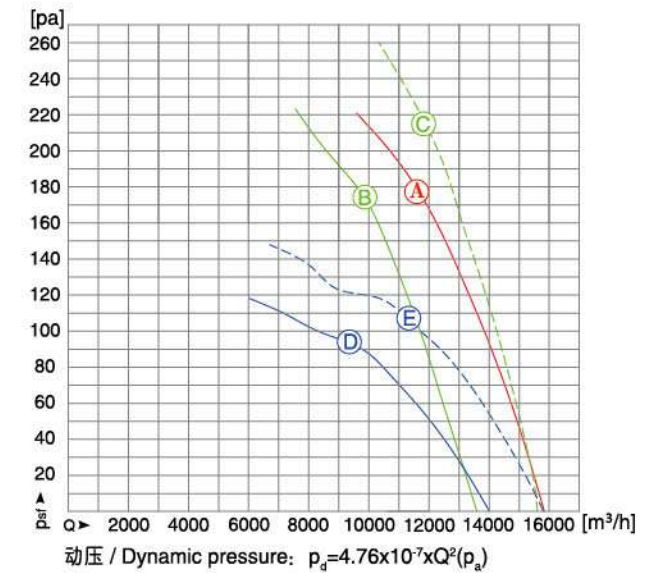
注：性能曲线在安装马尔导风圈时测得。Note: The performance curve is tested with MaEr wall plate.

# MaEr Fan Motor

Professional · Honest · Human Oriented



Ø 630 AC AXIAL FAN 外转子轴流风机

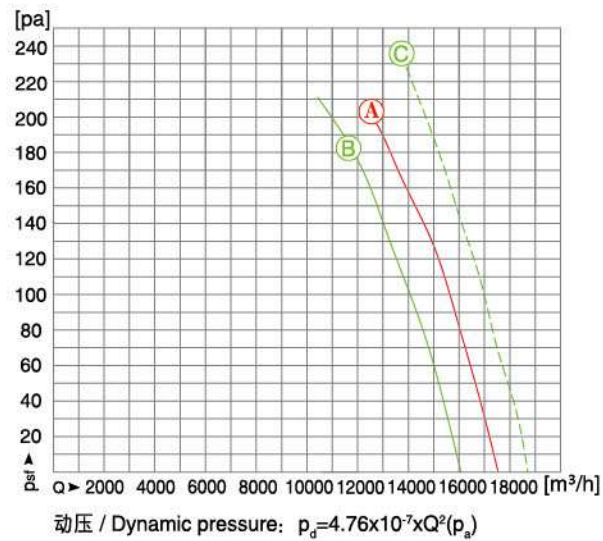


| 型号<br>Model          | 电压<br>Voltage | 频率<br>Frequency | 电容器<br>Capacitor | 曲线<br>Curve | 输入功率<br>Power | 转速<br>RPM | 电流<br>Current | 静压<br>Psf | 环境温度<br>Temp. | 静压效率<br>ηsf | 能效值<br>EFF.Grade | 噪声<br>Noise | 备注<br>Note |
|----------------------|---------------|-----------------|------------------|-------------|---------------|-----------|---------------|-----------|---------------|-------------|------------------|-------------|------------|
|                      | V             | Hz              | μF/450V          | NO.         | W             | r/min     | A             | Pa        | ℃             | %           | N                | dB(A)       |            |
| YSWF127L65P4-□-630-7 | 3~380         | 50              | —                | A           | 1706          | 1395      | 3.22          | 179       | -40~+55       | 33.81       | 38.6             | 79          |            |
| YSWF127L65P4-□-630-7 | 3~380         | 50              | —                | B           | 1338          | 1422      | 2.79          | 176       | -40~+65       | 35.75       | 41.2             | 76          |            |
| YSWF127L65P4-□-630-7 | 3~380         | 60              | —                | C           | 2027          | 1640      | 3.50          | 218       | -40~+55       | 35.22       | 39.6             | 81          |            |
| YSWF127L65P6-□-630-7 | 3~380         | 50              | —                | D           | 1027          | 919       | 2.30          | 91        | -40~+65       | 23.87       | 30               | 72          |            |
| YSWF127L65P6-□-630-7 | 3~380         | 60              | —                | E           | 1506          | 1030      | 2.73          | 106       | -40~+50       | 22.15       | 27.3             | 75          |            |

注：性能曲线在安装马尔导风圈时测得。Note: The performance curve is tested with MaEr wall plate.



## Ø 630 AC AXIAL FAN 外转子轴流风机

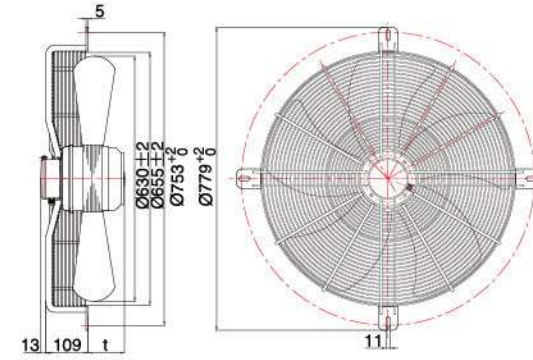


| 型号<br>Model          | 电压<br>Voltage | 频率<br>Frequency | 电容器<br>Capacitor | 曲线<br>Curve | 输入功率<br>Power | 转速<br>RPM | 电流<br>Current | 静压<br>Psf | 环境温度<br>Temp. | 静压效率<br>ηsf | 能效值<br>EFF.Grade | 噪声<br>Noise | 备注<br>Note |
|----------------------|---------------|-----------------|------------------|-------------|---------------|-----------|---------------|-----------|---------------|-------------|------------------|-------------|------------|
|                      | V             | Hz              | μF/450V          | NO.         | W             | r/min     | A             | Pa        | ℃             | %           | N                | dB/(A)      |            |
| YSWF127L80P4-□-630-7 | 3~380         | 50              | —                | A           | 2331          | 1395      | 4.48          | 207       | -40~+50       | 30.14       | 34               | 81          |            |
| YSWF127L80P4-□-630-7 | 3~380         | 50              | —                | B           | 1712          | 1420      | 3.49          | 186       | -40~+60       | 35.04       | 39.8             | 79          |            |
|                      |               | 60              | —                | C           | 2636          | 1631      | 4.47          | 236       | -40~+50       | 34.04       | 37.6             | 83          |            |

注：性能曲线在安装马尔导风圈时测得。Note: The performance curve is tested with MaEr wall plate.

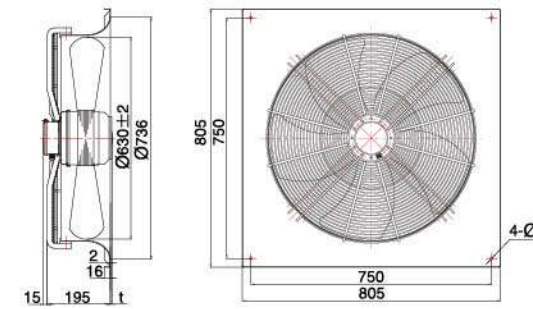
## Ø 630 INSTALLATION ACCESSORIES 安装附件

### □-753N



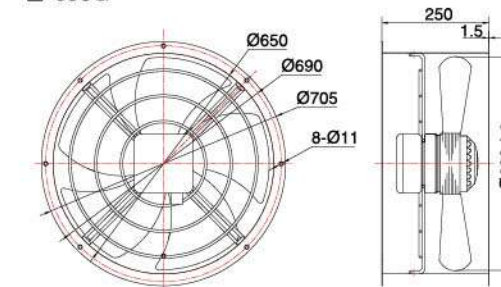
| 常规凹网罩 Concave grid 753N |       |     |     |
|-------------------------|-------|-----|-----|
| 型号                      | MODEL | h   | t   |
| YSWF127L50P4-753N-630   |       | 109 | 93  |
| YSWF127L50P6-753N-630   |       | 109 | 93  |
| YSWF127L65P4-753N-630   |       | 109 | 108 |
| YSWF127L65P6-753N-630   |       | 109 | 108 |
| YSWF127L80P4-753N-630   |       | 109 | 123 |

### □-750H



| 带导风圈 Wall plate 750H  |       |    |
|-----------------------|-------|----|
| 型号                    | MODEL | t  |
| YSWF127L50P4-750H-630 |       | 5  |
| YSWF127L50P6-750H-630 |       | 5  |
| YSWF127L65P4-750H-630 |       | 20 |
| YSWF127L65P6-750H-630 |       | 20 |
| YSWF127L80P4-750H-630 |       | 35 |

### □-690G



| 带风筒 Air duct 690G     |       |
|-----------------------|-------|
| 型号                    | MODEL |
| YSWF127L50P4-690G-630 |       |
| YSWF127L50P6-690G-630 |       |
| YSWF127L65P4-690G-630 |       |
| YSWF127L65P6-690G-630 |       |
| YSWF127L80P4-690G-630 |       |

### □-其他安装附件 Others

| 平板网罩 Flat net grid 753B |       |   |     |
|-------------------------|-------|---|-----|
| 型号                      | MODEL | h | t   |
| YSWF127L50P4-753B-630   |       | — | 122 |
| YSWF127L50P6-753B-630   |       | — | 122 |
| YSWF127L65P4-753B-630   |       | — | 137 |
| YSWF127L65P6-753B-630   |       | — | 137 |
| YSWF127L80P4-753B-630   |       | — | 157 |